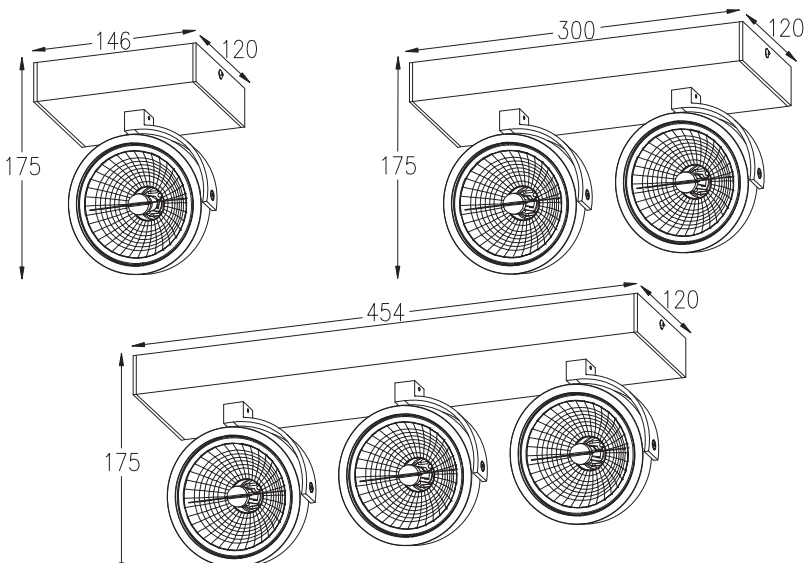
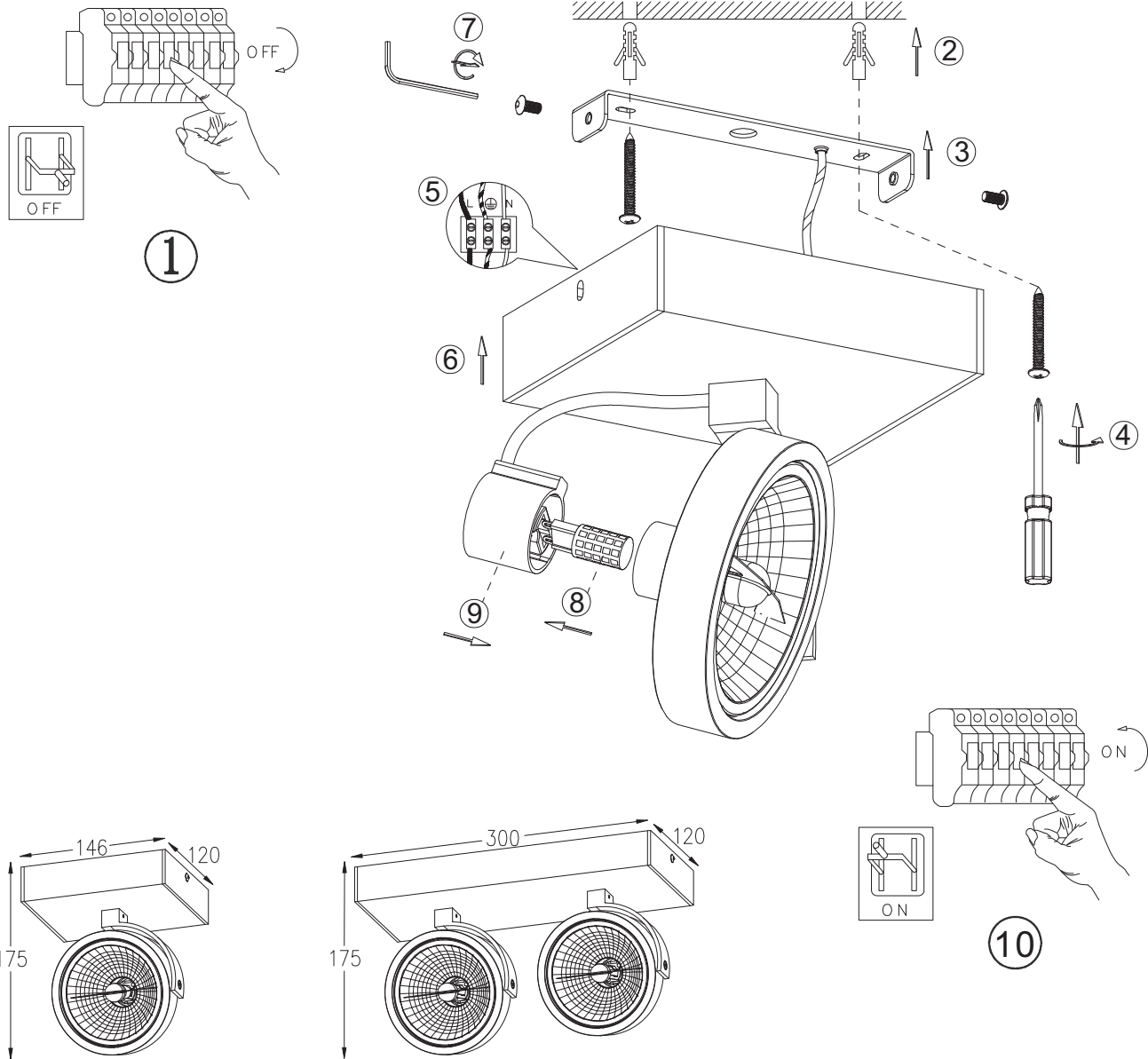


INSTRUCTION MANUAL



Go SL G9



This luminaire is sold with a bulb of the energy class: **A⁺⁺**

G9	SOCKET
280	LM
3	W
2700	K
>80	RA
25000	H