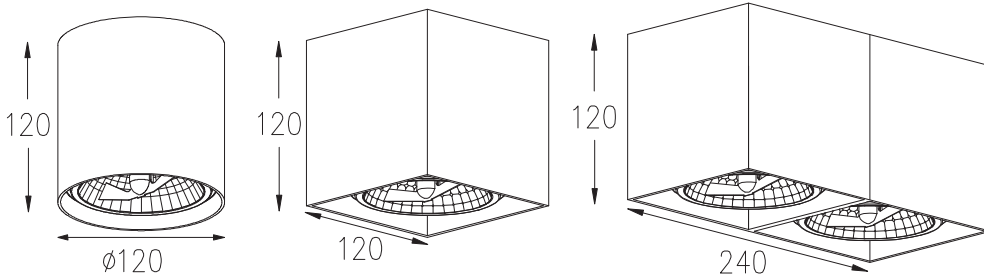
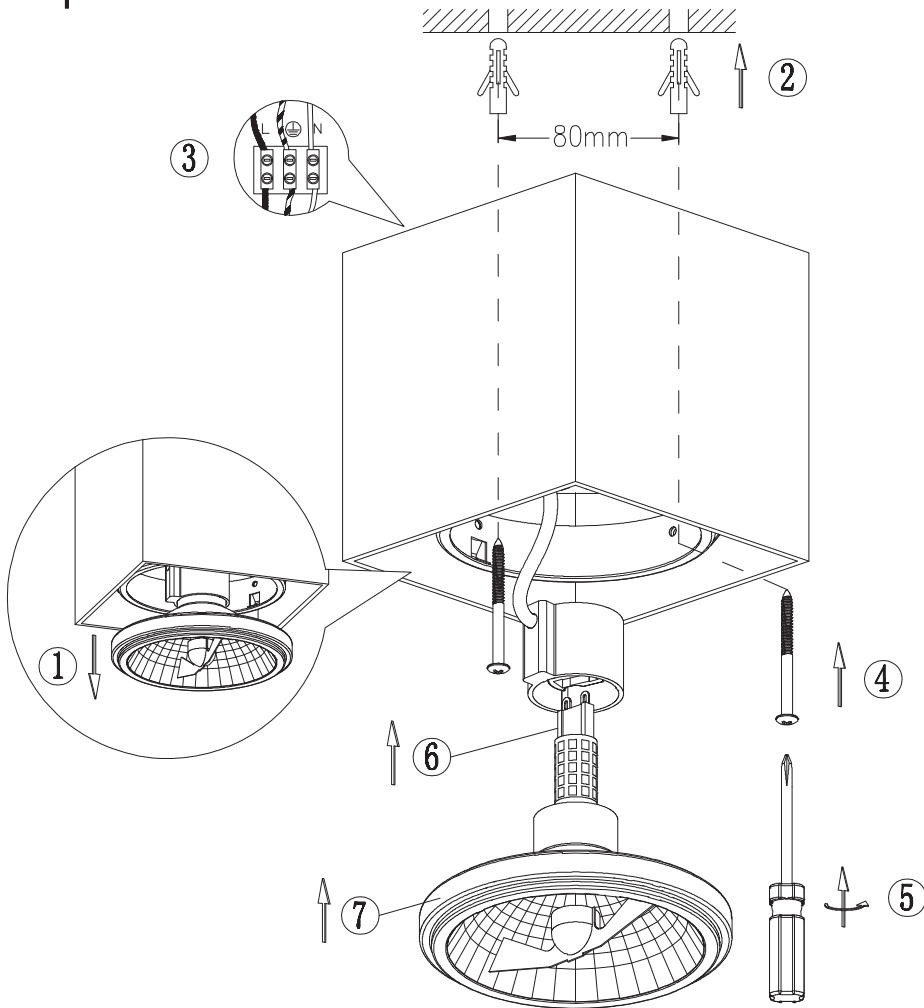


INSTRUCTION MANUAL



Box SL G9 Impact-UpSL G9



This luminaire is sold with a bulb of the energy class:



G9	SOCKET
280	LM
3	W
2700	K
>80	RA
25000	H