



WWW.QAZQA.COM

Motion IV CL E27 MODEL: 89912

We are delighted that you have purchased this MICROWAVE Light. This light is suitable for indoor use only. Please read this instruction manual before installation and retain for future reference.

IMPORTANT: Never modify the unit, there are no user serviceable parts inside. Not suitable for use with dimmer switches. Install in accordance with IEC Wiring Regulations.

THE LIGHT SHOULD BE INSTALLED BY A QUALIFIED ELECTRICIAN.

POSITIONING THE LAMP

When selecting the mounting position, take into account the following points:

1. The sensor is designed for optimum performance when mounted at a height of above 2.5 to 4 meters (see Figure 1)

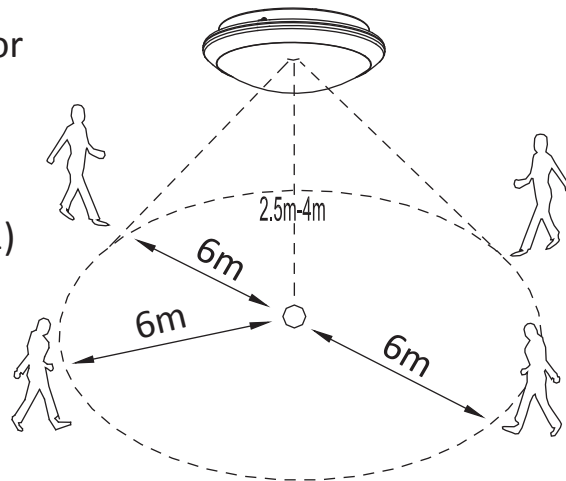


Fig.1 DETECTION AREA

2. Avoid pointing at or positioning close to heat sources such as heaters or heat extraction units, which may cause false triggering.
3. Avoid pointing at bright lights as the sensor will not function when you set Lux control level to dark (D) position).
4. Avoid mounting at strong electromagnetic disturbance, i.e. near electrical motor or fluorescent lamp ballast.

INSTALLING THE LAMP

Before commencing any electrical work, ensure the mains supply is isolated by switching off and removing the relevant fuse. (See Figure 2)

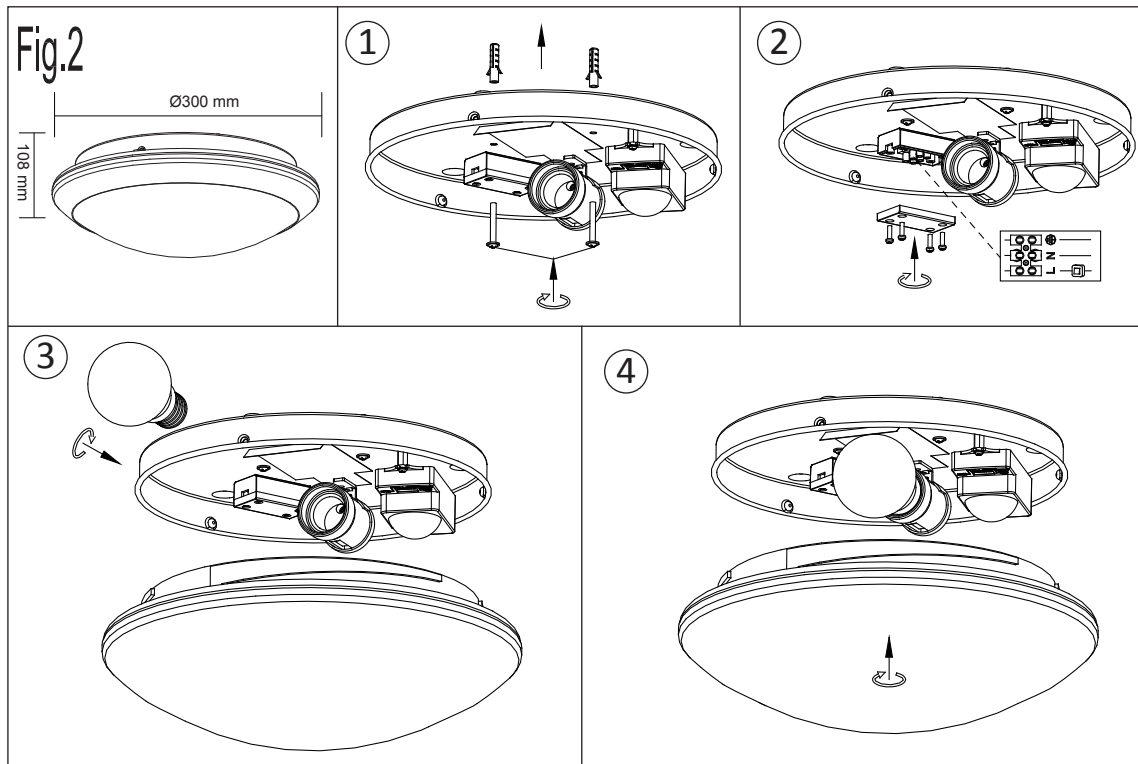
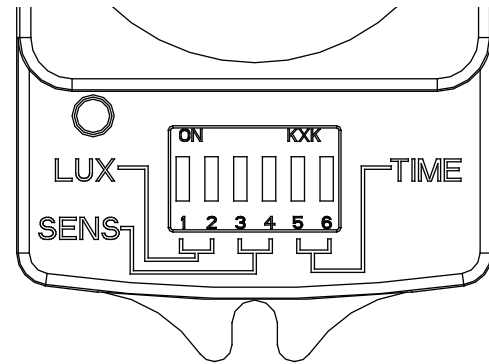
1. Unscrew the Screws and remove the Glass Chimney
2. Use the back metal disk to mark the position of screw onto ceiling surface. Using a bit, drill the wall to a depth of about 4cm. Fit the rawl-plugs supplied.
3. Bring mains wiring through and fix back metal disk to ceiling surface using screws. Connect mains wiring to the terminal block.
4. Re-fit the Glass Chimney .

QAZQA



WWW.QAZQA.COM

After finishing the installation operation, you can adjust the working state of the MICROWAVE SENSOR.



		1	2	3	4	5	6
LUX	<200LUX	0	0	x	x	x	x
	<60LUX	0	1	x	x	x	x
	<20LUX	1	0	x	x	x	x
	<5LUX	1	1	x	x	x	x
SENS	5m radius	x	x	0	0	x	x
	4m radius	x	x	0	1	x	x
	3m radius	x	x	1	0	x	x
	1m radius	x	x	1	1	x	x
TIME	10s	x	x	x	x	0	0
	1min	x	x	x	x	0	1
	4min	x	x	x	x	1	0
	10min	x	x	x	x	1	1
		1=ON 0=OFF x=ON or OFF					

TECHNICAL DETAILS:

- Voltage: 220-240 V~ 50 Hz
- Wattage: E27 MAX. 60W incandescent bulb
- Detection range: 360° and Max.6 meters radius (see Figure 1)
- Delay time: 10s to 10 min. adjustable
- Lux control level: Daylight or Night adjustable
- IP: 44

