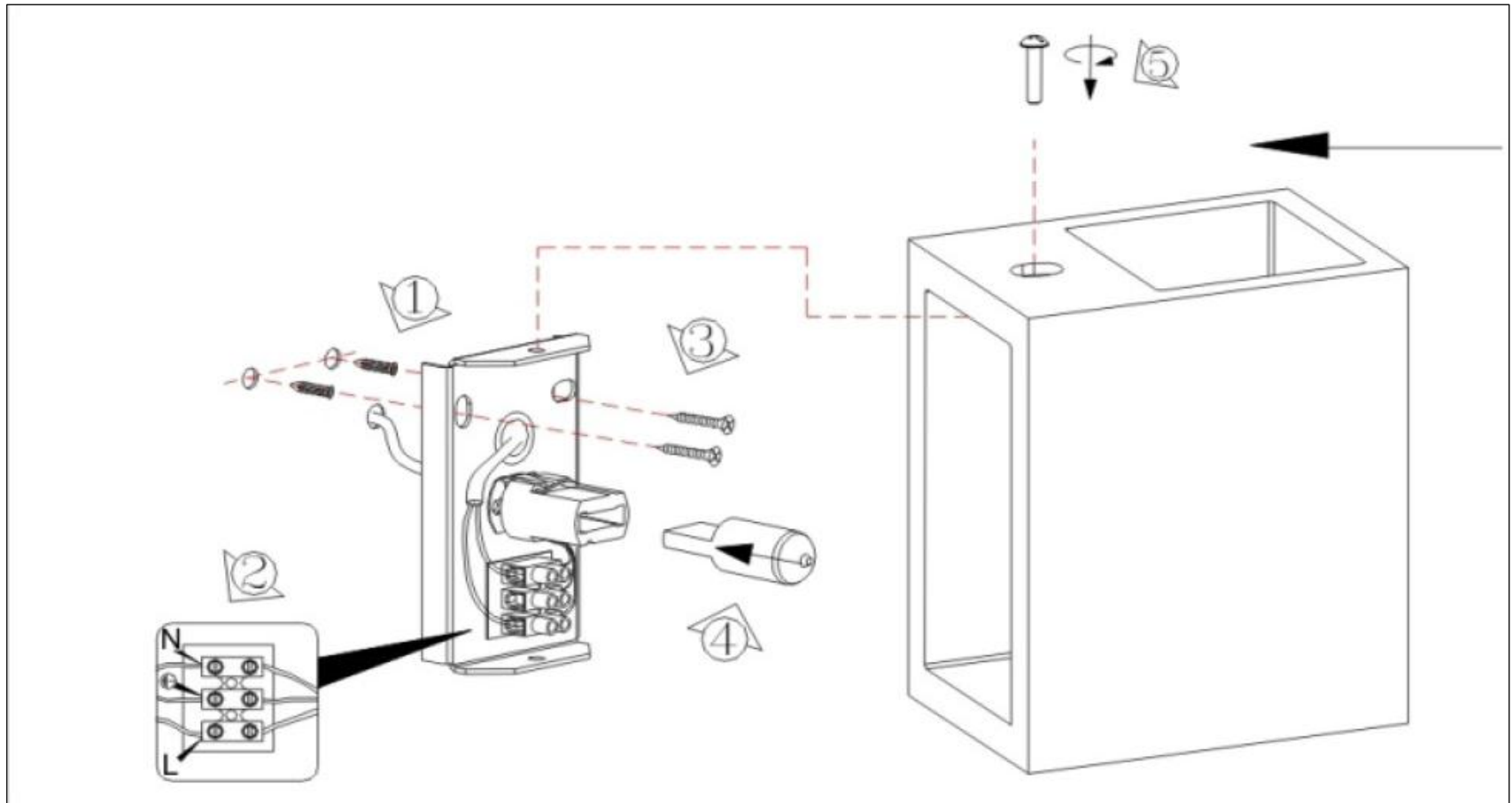


ATTENTION: FOR THIS OPERATION YOU HAVE TO CUT OFF THE POWER

Class I Lamp

MAXIMUM

220~230V-50Hz Max 40W G9



89706

QAZQA



WWW.QAZQA.COM