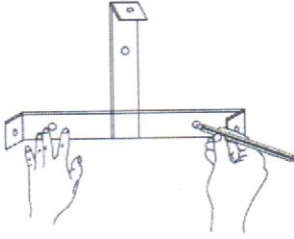


Suchin WL Natural Shade S15 Brown 89700

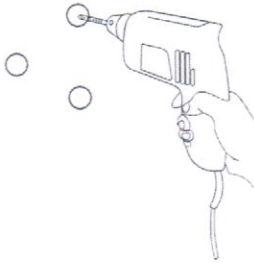
1. Before installation disconnect the mains supply. Take out the plate from the fixture and position on the wall. (see item in drawing 1).

1



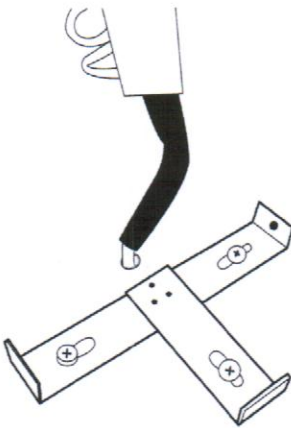
2. Drill at the ceiling to make a hole to be match with the hook.

2



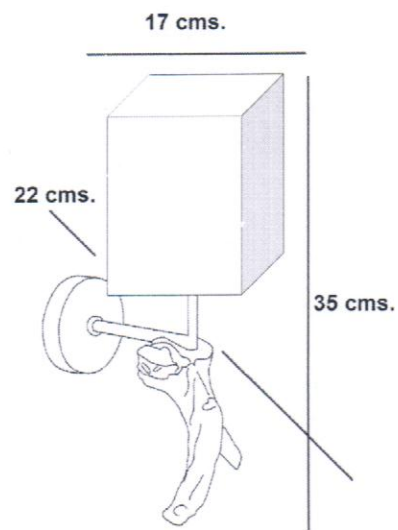
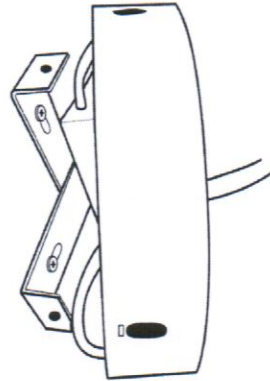
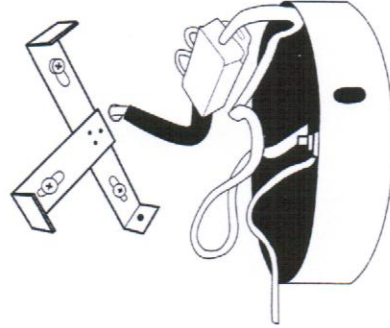
3. Screw the hook with the hole and ensure it is attach with the ceiling tightly.

3



4

4. Hang the wall lamp with the hook.



QAZQA

WWW.QAZQA.COM