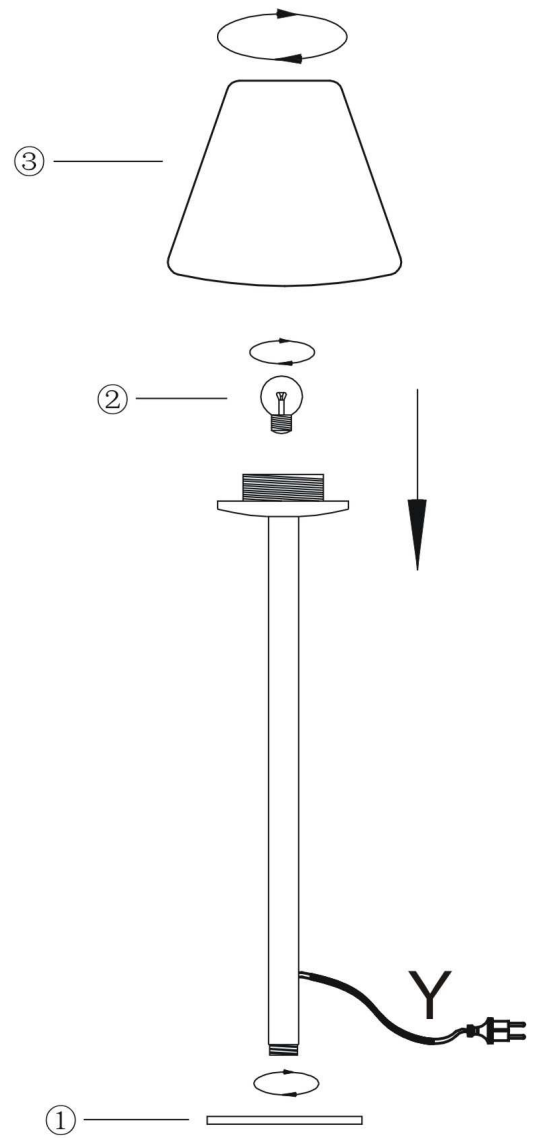
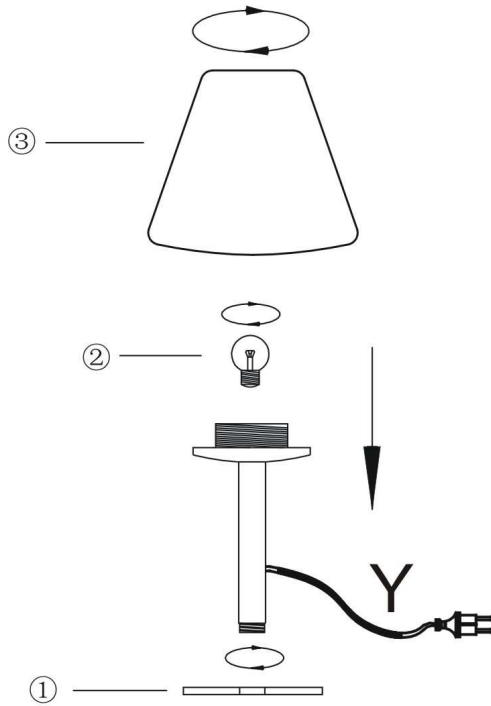


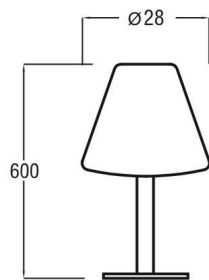


WWW.QAZQA.COM

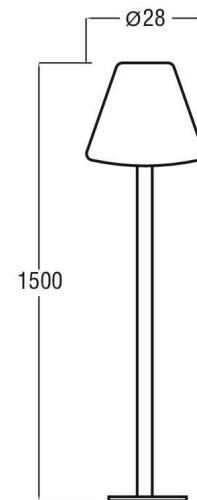


**Y:** To avoid danger a damaged external flexible cable (power supply cord) for this lamp may only be replaced by the manufacturer, its service representatives or a suitably qualified electrician

89692



89693



**QAZQA**