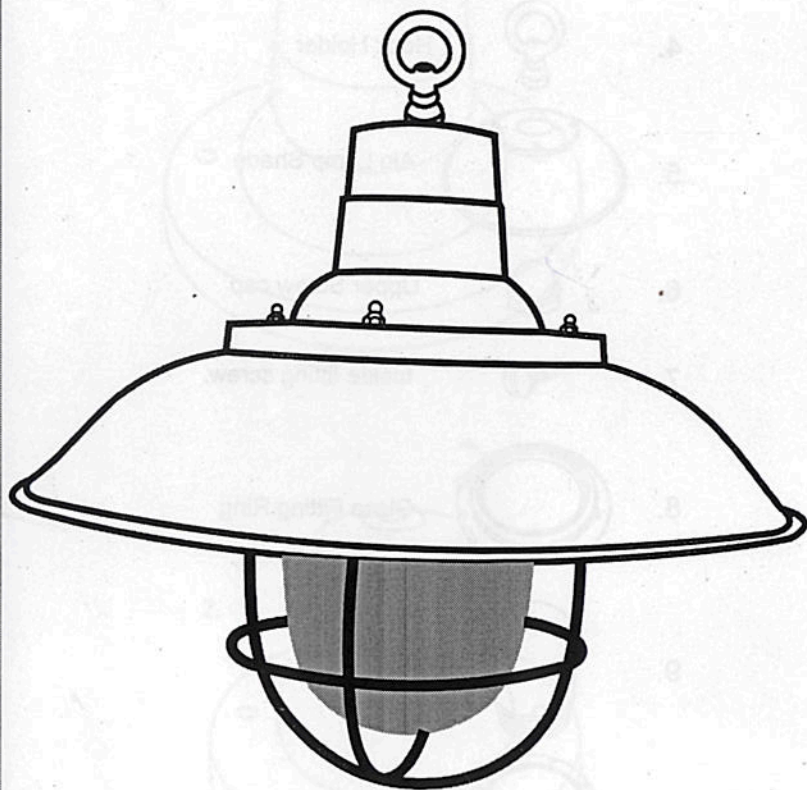




WWW.QAZQA.COM





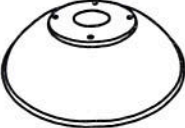





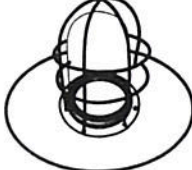
ITEM # : 11059

DESC. : KNOXX HL CHROME



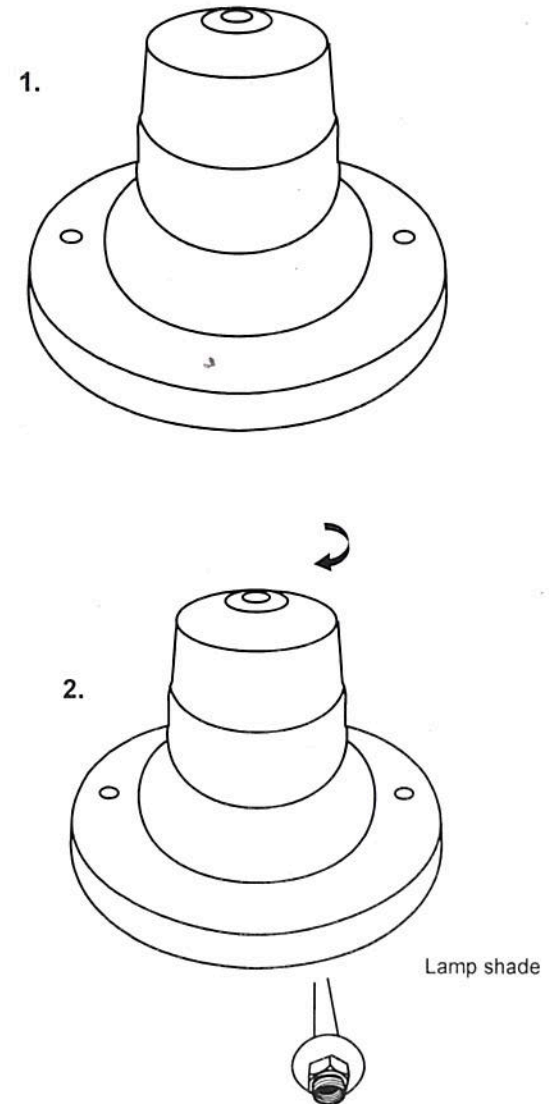
QAZQA

## THE MANUAL OF LAMP PARTS

1.  Upper Cap
2.  Rod
3.  Screw
4.  Hook Holder
5.  Alu Lamp Shade
6.  Upper Screw cap
7.  Inside fitting screw.
8.  Glass Fitting Ring
9.  Bulb Glass
10.  Fitting Nett Ring
11.  Net

## MANUAL WITH INSTALLATION DESCRIPTION OF LAMP PARTS

Upper cap is used for the complete fitting of lamp and small holes will get different screw fittings.



Round Nipple Rod  
It will be use to attach upper cup fitting  
with the round lamp shade. It will be insert  
from inside of lamp shade.



3.

Ring washer

4.

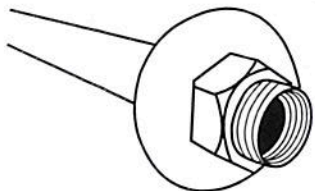


Rod Studd

5.

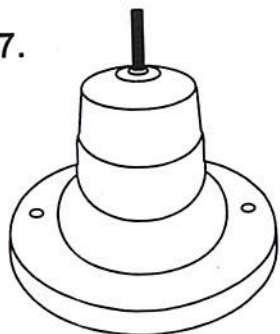


The Rod studd & Ring washer will be light on round  
nipple Rod and it will be inside of lamp shade.



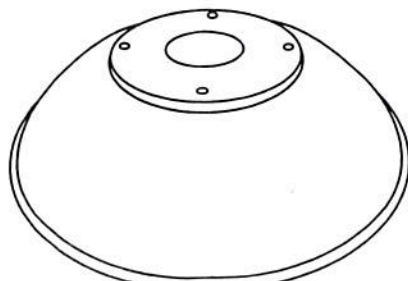
6.

7.



Now the lamp shade is  
the round nipple Rod.

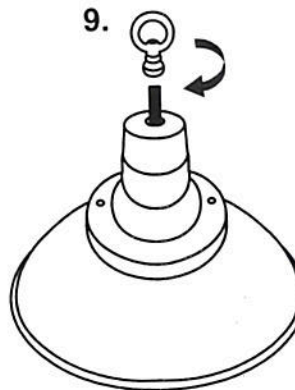
8.



Lamp shade

The upper fitting cup will be place on the lamp shed with  
Round Nipple Rod. The round nipple Rod will be  
get across from inside of the upper cup.

9.



10.



Upper Screw cap



11.



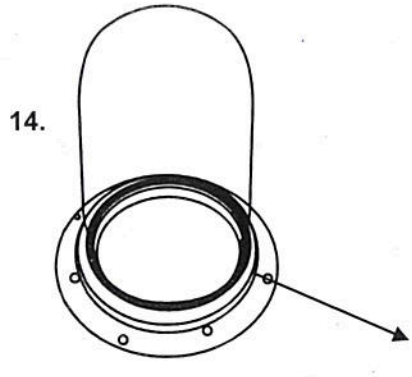
Inside fitting screw.

12.



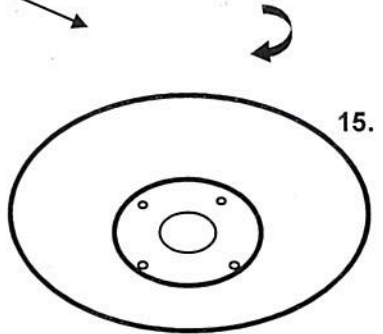
13.





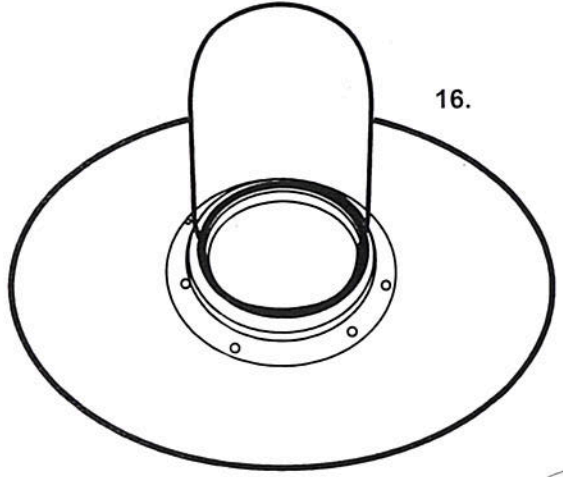
14.

Sqr. Rod hanger the Sqr. Rod hanger will be fix on the upper cap & will be fill from both side hanger fitting by brass grip with screw.



15.

Now the upper cup is fixed with sqr. rod gange and side fitting from both side

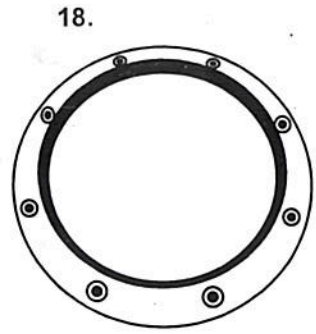


16.

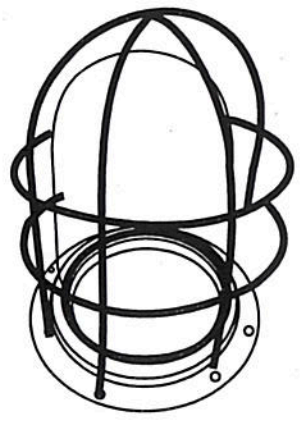


17.

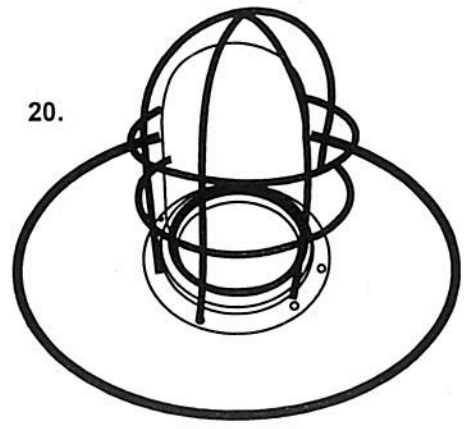
Inside fitting screw.



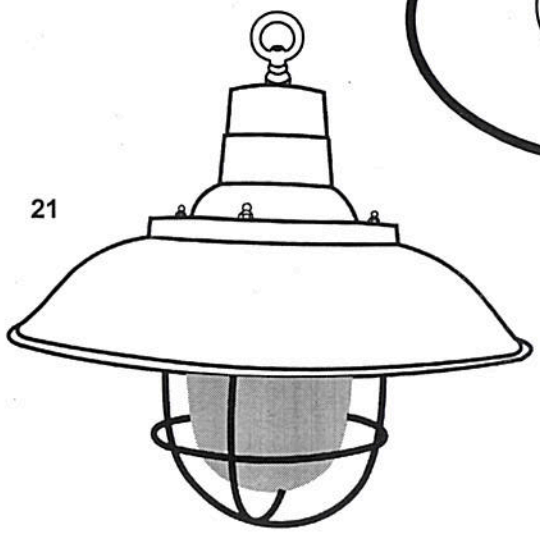
18.



19.



20.



21



Please note the information contained in these instructions and save these manual

TECHNICAL DATA:

HOLDER OUTPUT:- MAX 60 W E27 220-240 V

INSTRUCTIONS FOR USE:-

- 1- THE Lamp is for ceiling purpose only.
- 2- The 3 core wire is used , highly protected and safe.
- 3- The connector with junction box is fixed in the ceiling cup for safety purpose.
- 4- The lamp is with chain and hook for hanging.
- 5- Complete fitting is as per CE European slandered.
- 6- The hanging chain is 1 mtr.
- 7- The lamp finish reflects the interior decoration colors.
- 8- The lamp is completely assembled, there is no need to change any fitting,
- 9- The product parts manual is inserted just for the acknowledgement.

WARNING:-

- 1- Do not put the lamps near the flammable or any explosive product.
- 2- Do not open under the pane by oneself.
- 3- Keep the product clean and clear for good lighting function.
- 4- If the item not works so smoothly please check the bulb holder inside the lamp shade or you can change the bulb only.
- 5- This lamp is only for indoor use.
- 6- The external flexible cable of the lamp can not be replaced, if the cable is damaged, the lamp wiring can be change by professional electrician only.
- 7- Keep away from the reach of children.
- 8- Please keep product untouched and unshakable, it should not be waving while hanging.

