

89624

Zine HL S Chrome

Please note the information contained in these instructions and save these manual

TECHNICAL DATA:

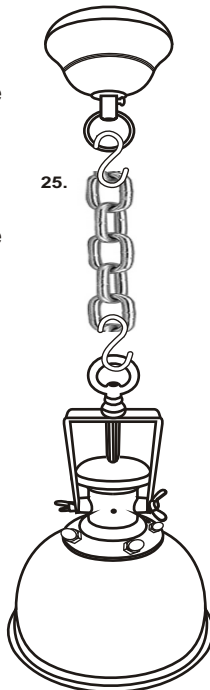
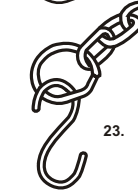
HOLDER OUTPUT:- MAX 60 W E27 220-240 V

INSTRUCTIONS FOR USE:-

- 1- THE Lamp is for ceiling purpose only.
- 2- The 3 core wire is used , highly protected and safe.
- 3- The connector with junction box is fixed in the ceiling cup for safety purpose.
- 4- The lamp is with chain and hook for hanging.
- 5- Complete fitting is as per CE European slandered.
- 6- The hanging chain is 1 mtr.
- 7- The lamp finish reflects the interior decoration colors.
- 8- The lamp is completely assembled, there is no need to change any fitting,
- 9- The product parts manual is inserted just for the acknowledgement.

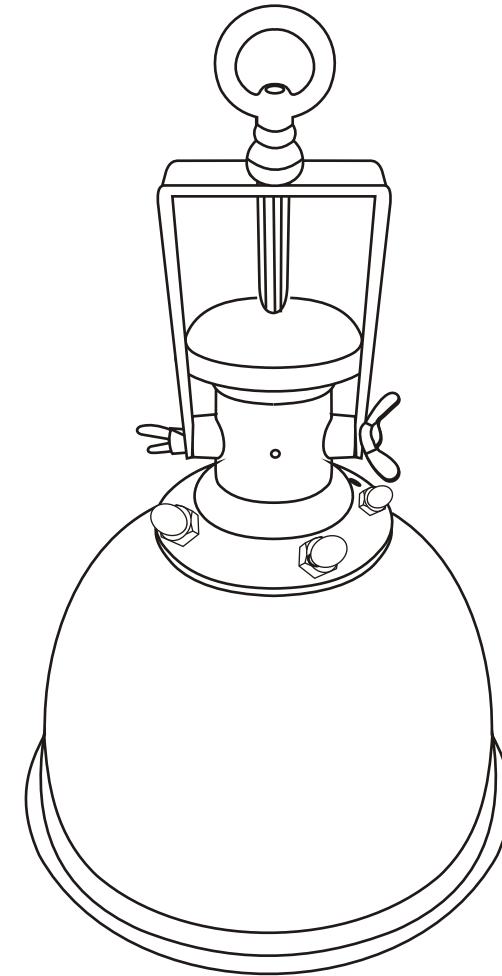
WARNING:-

- 1- Do not put the lamps near the flammable or any explosive product.
- 2- Do not open under the pane by oneself.
- 3- Keep the product clean and clear for good lighting function.
- 4- If the item not works so smoothly please check the bulb holder inside the lamp shade or you can change the bulb only.
- 5- This lamp is only for indoor use.
- 6- The external flexible cable of the lamp can not be replaced, if the cable is damaged, the lamp wiring can be change by professional electrician only.
- 7- Keep away from the reach of children.
- 8- Please keep product untouched and unshakable, it should not be waving while hanging.

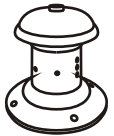
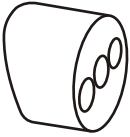











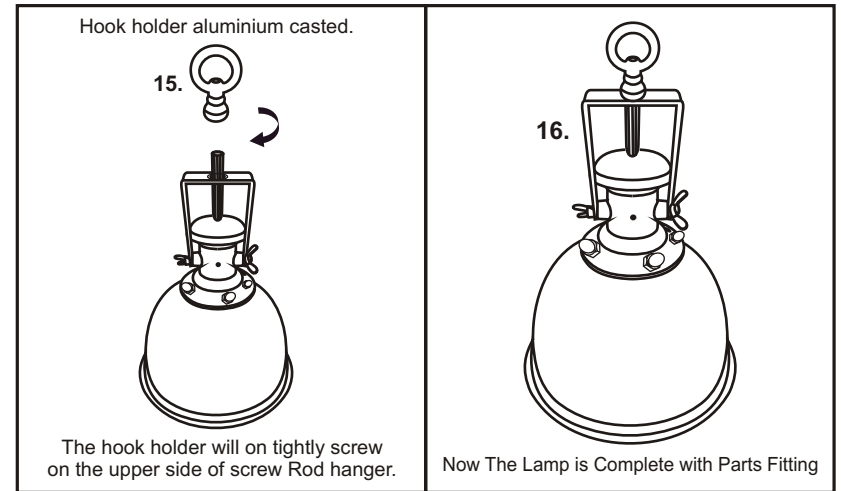
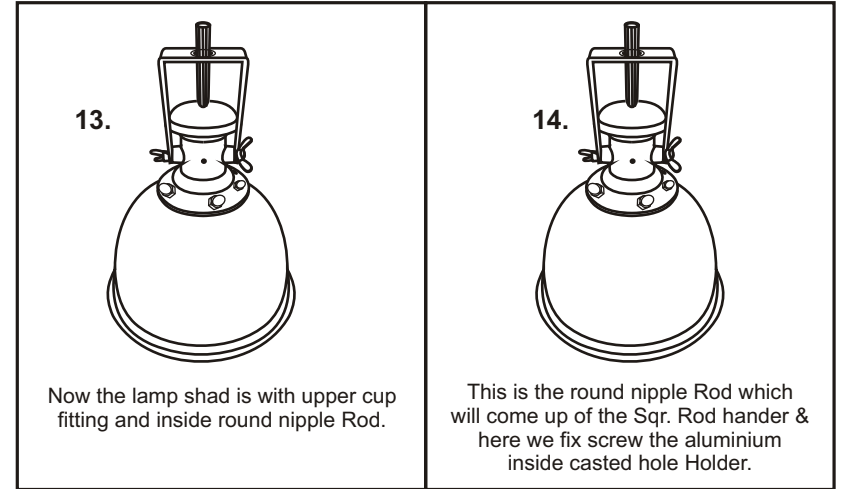
89624

Zine HL S Chrome



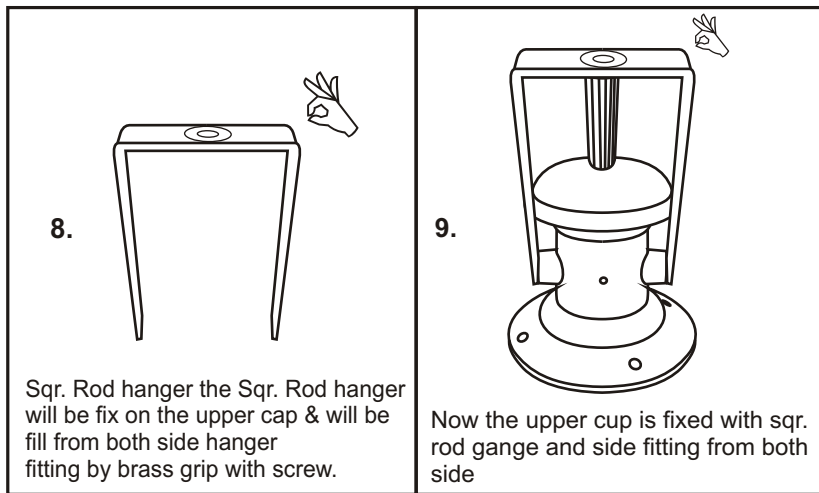
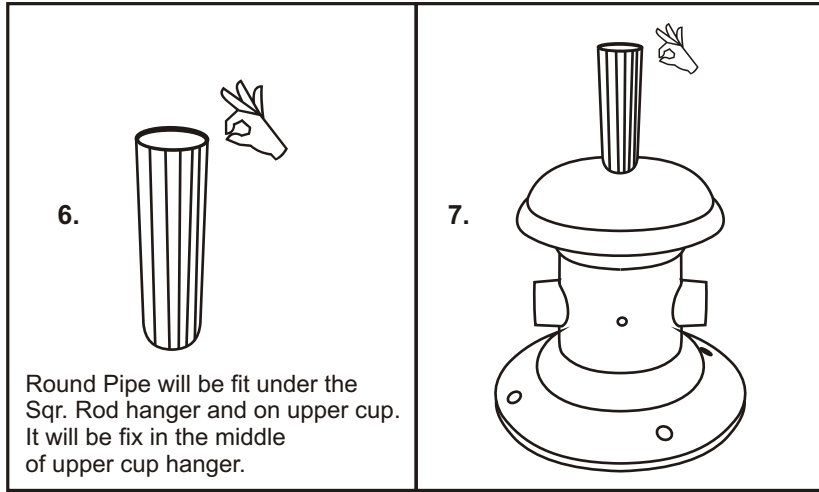
THE MANUAL OF LAMP PARTS

1.  Upper Cap
2.  Hanger Side Fitting
3.  Screw
4.  Round Pipe
5.  Square Hanger
6.  Brass grip with screw.
7.  Rod
8.  Upper Screw cap
9.  Inside fitting screw.
10.  Hook Holder
11.  Lamp Shade



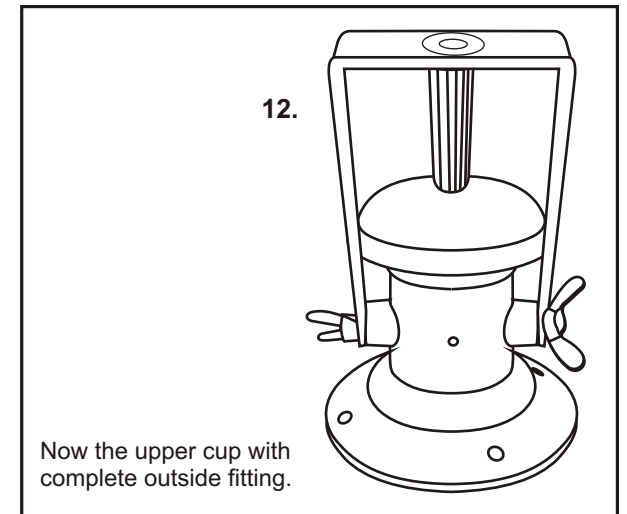
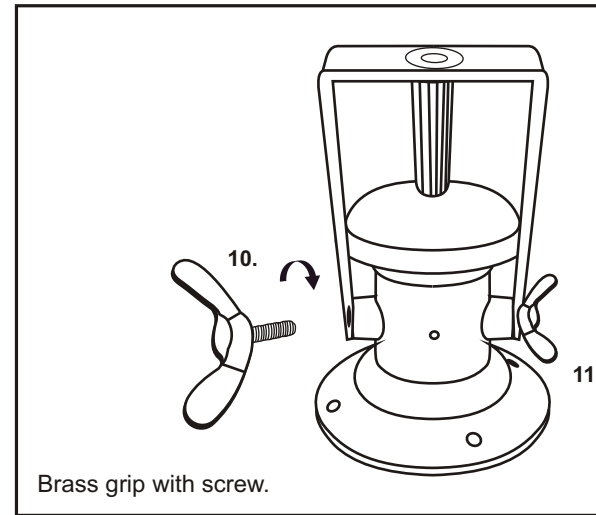
INSTRUCTION MANUAL

89624
Zine HL S Chrome



INSTRUCTION MANUAL

89624
Zine HL S Chrome



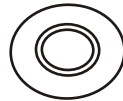
89624
Zine HL S Chrome



Round Nipple Rod
It will be use to attach upper cup fitting with the round lamp shade. It will be insert from inside of lamp shade.



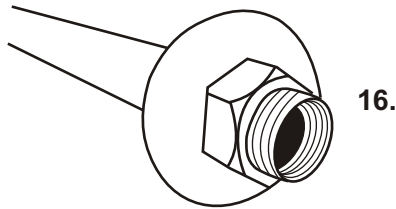
Ring washer
14.



Rod Studd
15.



The Rod studd & Ring washer will be light on round nipple Rod and it will be inside of lamp shade.

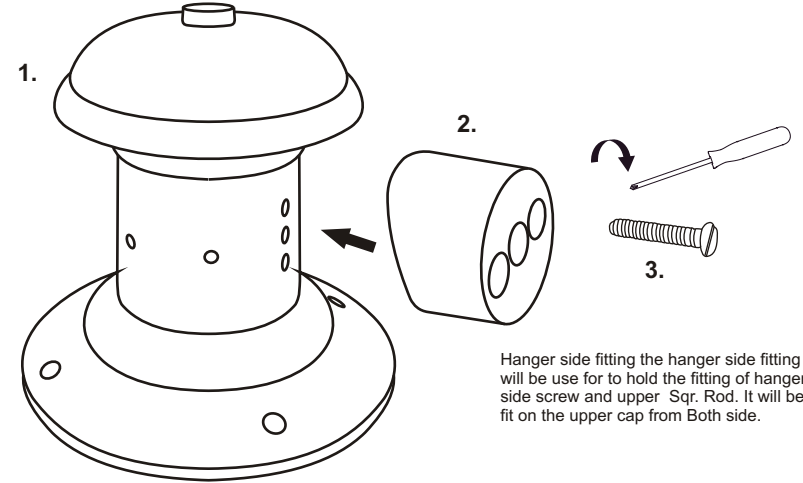


<p>17.</p> <p>Lamp shade</p>	<p>18.</p> <p>Now the lamp shade is the round nipple Rod.</p>	<p>19. Inside fitting screw.</p> <p>20. Upper Screw cap</p> <p>The upper fitting cup will be place on the lamp shed with Round Nipple Rod. The round nipple Rod will be get across from inside of the upper cup.</p>
------------------------------	---	--

89624
Zine HL S Chrome



Upper cap is used for the complete fitting of lamp and small holes will get different screw fittings.



Hanger side fitting the hanger side fitting will be use for to hold the fitting of hanger side screw and upper Sqr. Rod. It will be fit on the upper cap from Both side.

<p>4.</p>	<p>5.</p>
-----------	-----------