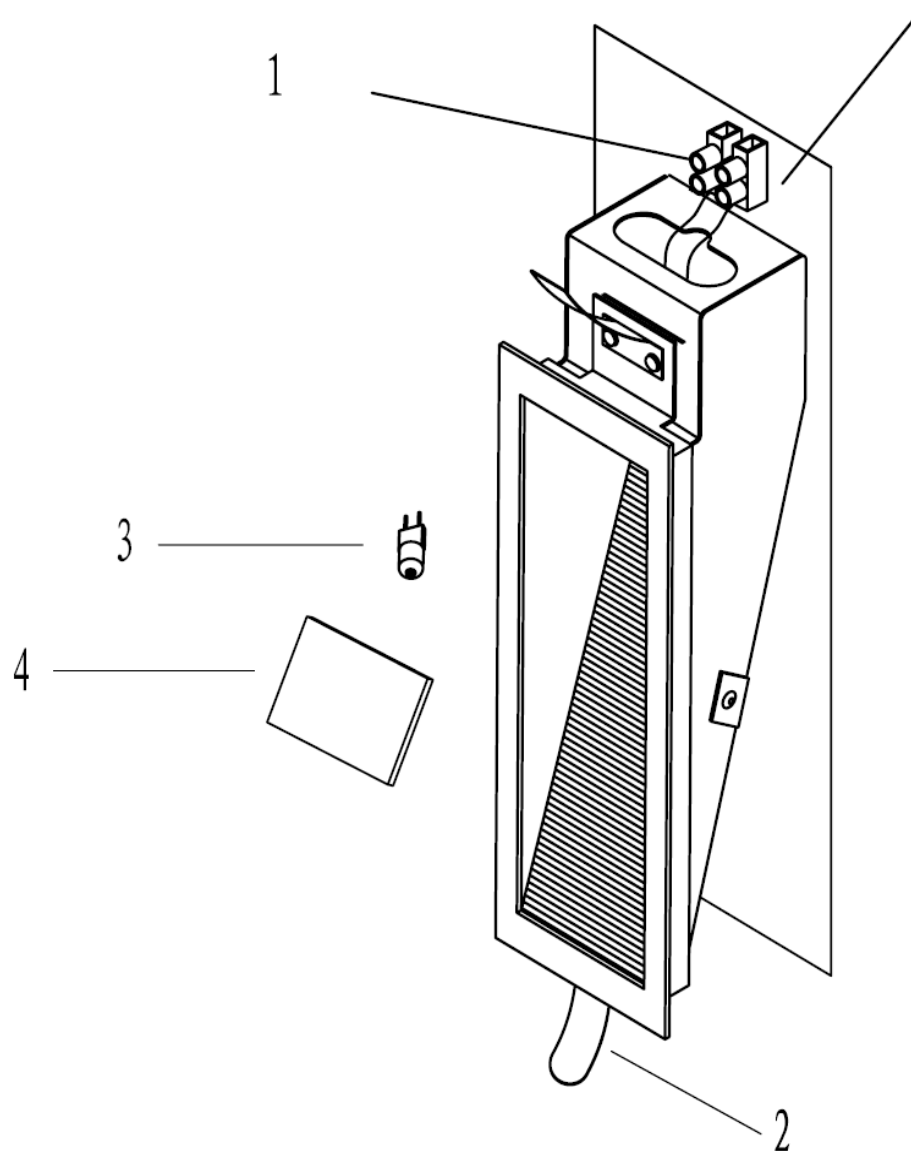


89507

.Please read instructions before commencing installation and retain for future reference.

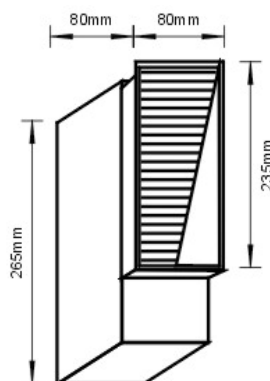


INSTALLATION INSTRUCTIONS:

- 1.Connect to the power;
- 2.Press the clips and put it into the hole;
- 3.Install the bulb;
- 4.Install the glass .

Note:

Lamp 12V JC/G5.3
MAX.50W



QAZQA



WWW.QAZQA.COM