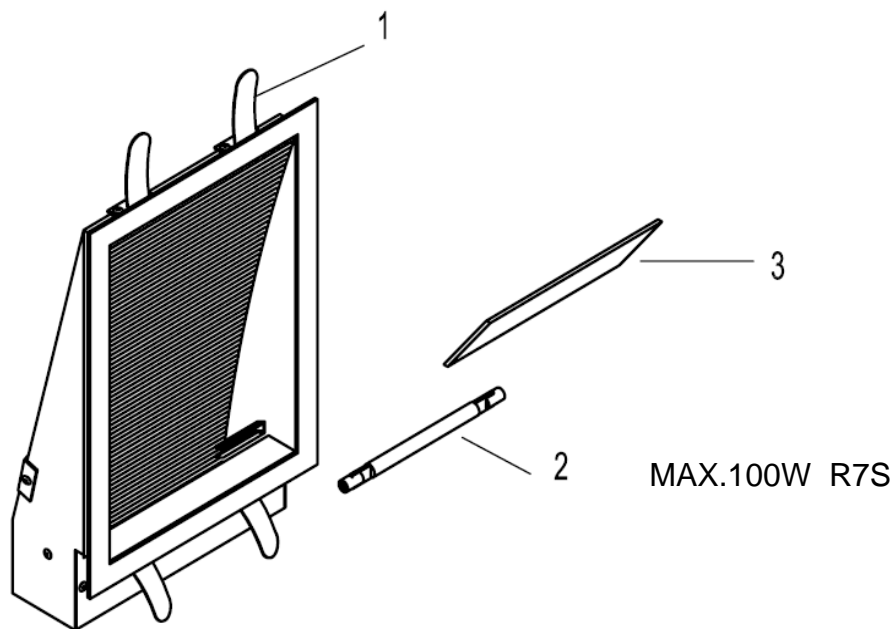
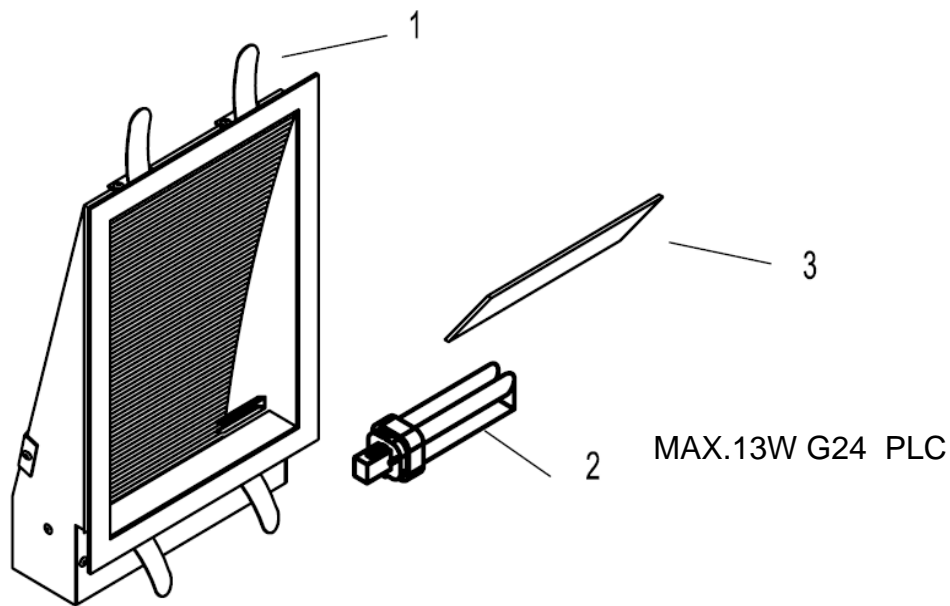




WWW.QAZQA.COM

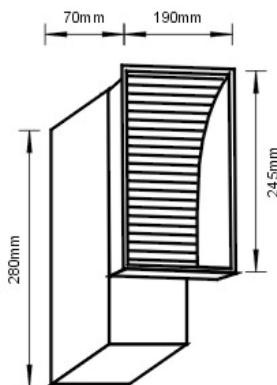
89506

.Please read instructions before commencing installation and retain for future reference.



INSTALLATION INSTRUCTIONS:

- 1.Bend the dip and into the hole;
- 2.Install the bulb;
- 3.Install the glass cover.



QAZQA