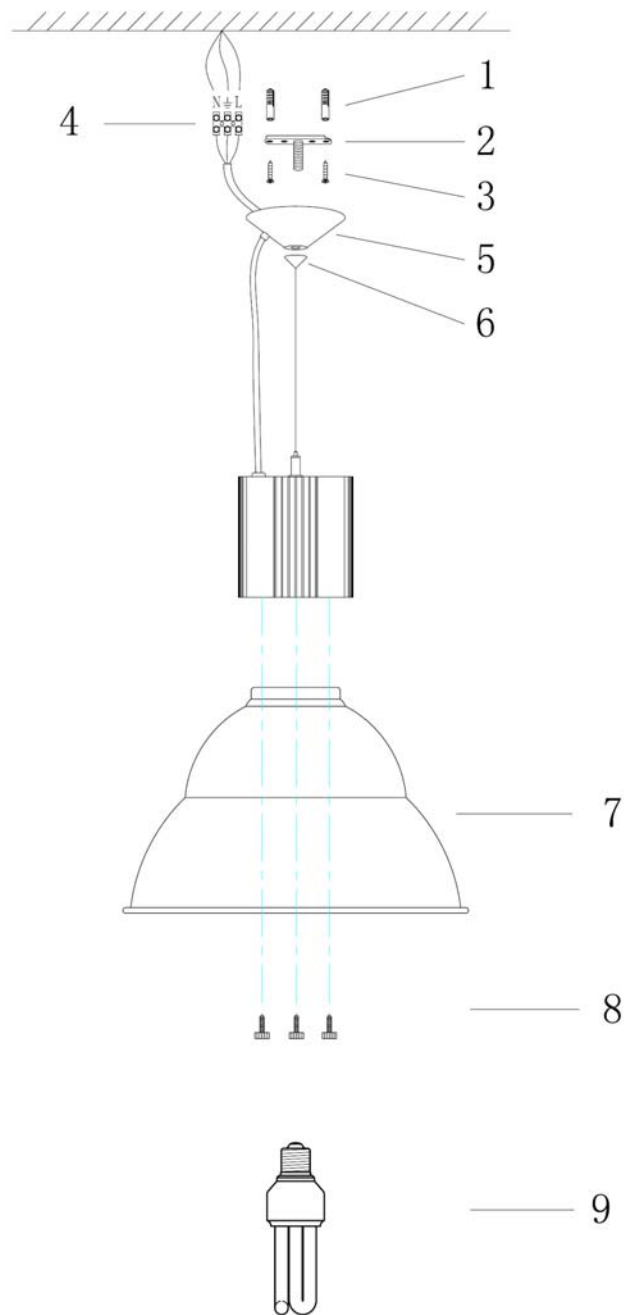




WWW.QAZQA.COM

89504/89505/45845/46384

.Please read instructions before commencing installation and retain for future reference.

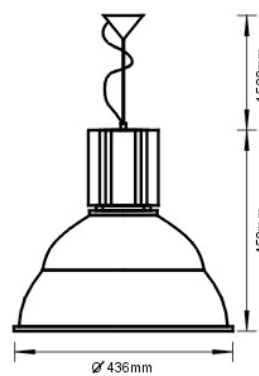


INSTALLATION INSTRUCTIONS:

1. Install the dowel;
2. Install the bracket;
3. Tighten the screws;
4. Connect it to power;
5. Install the base;
6. Tighten the screws;
7. Fix the reflector;
8. Tighten the screws;
9. Install the bulb.

Note:

Lamp MAX.65W E27



QAZQA