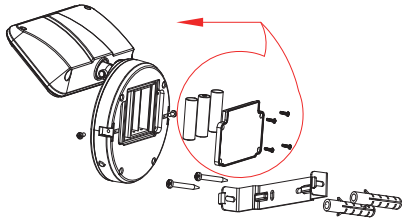


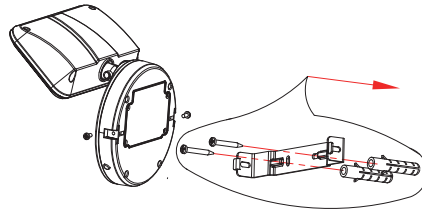


WWW.QAZQA.COM

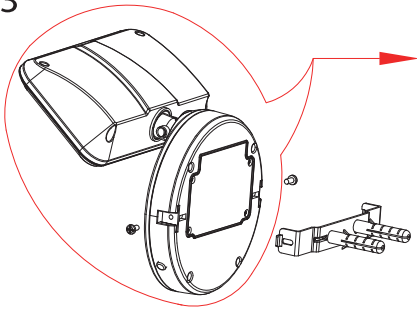
1



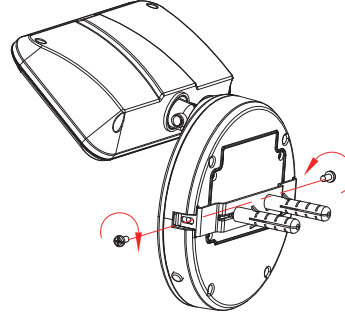
2



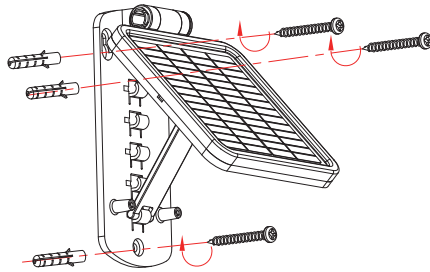
3



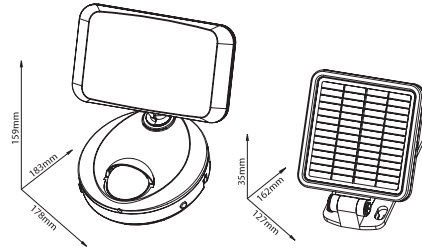
4



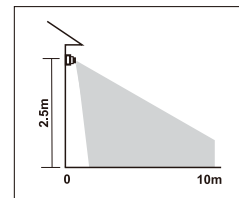
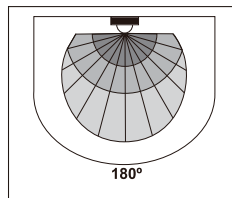
5



89436



Wire length: 3.5 - 5m(solar panel to body)
Type of battery: 3x1.2V AA Ni-MH 1000mAh
Light source: Max.40x0.075W LED
Duration time: 30 seconds
Lux control level: 20±10 lux
Weatherproof: IP44



QAZQA