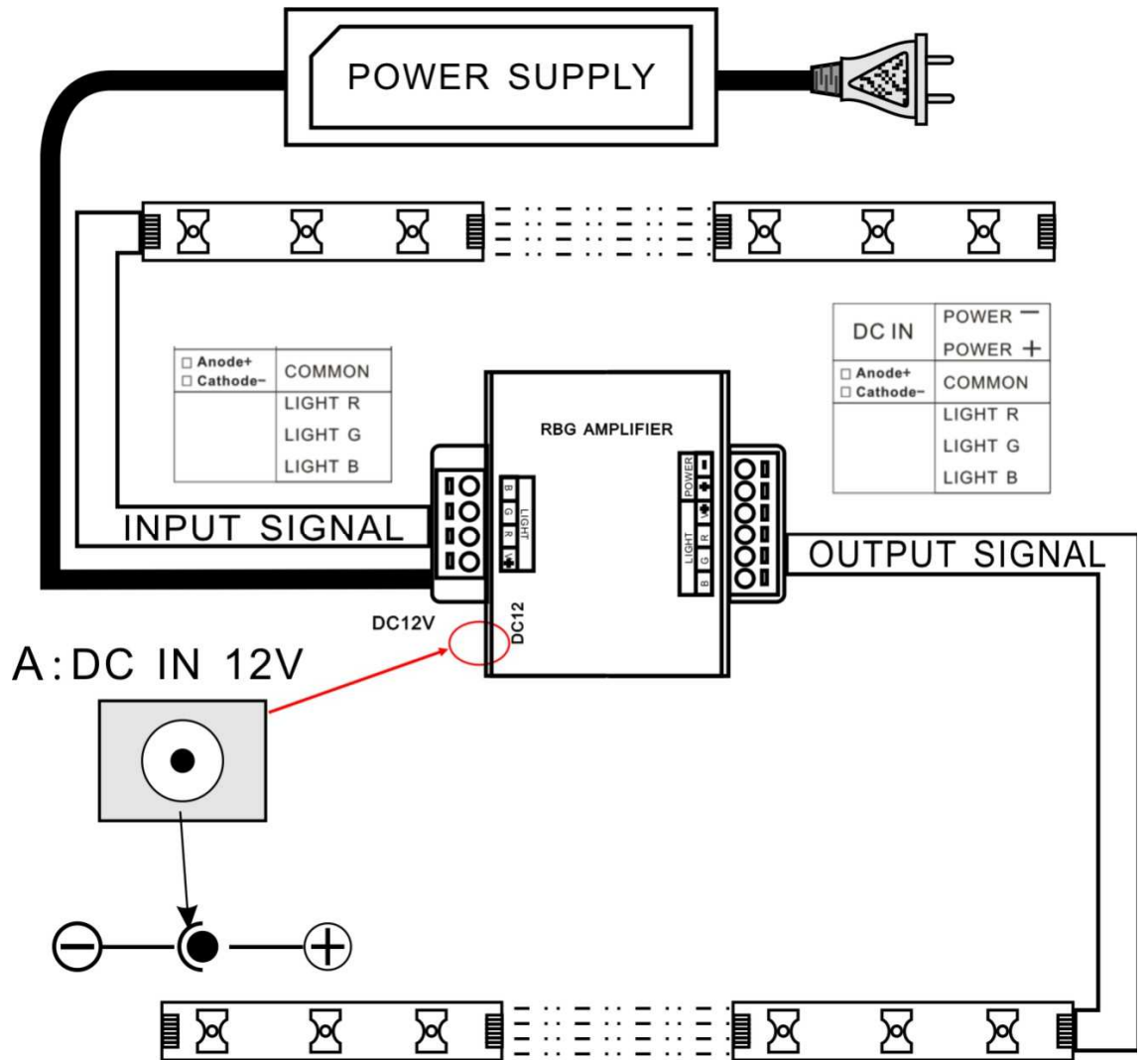
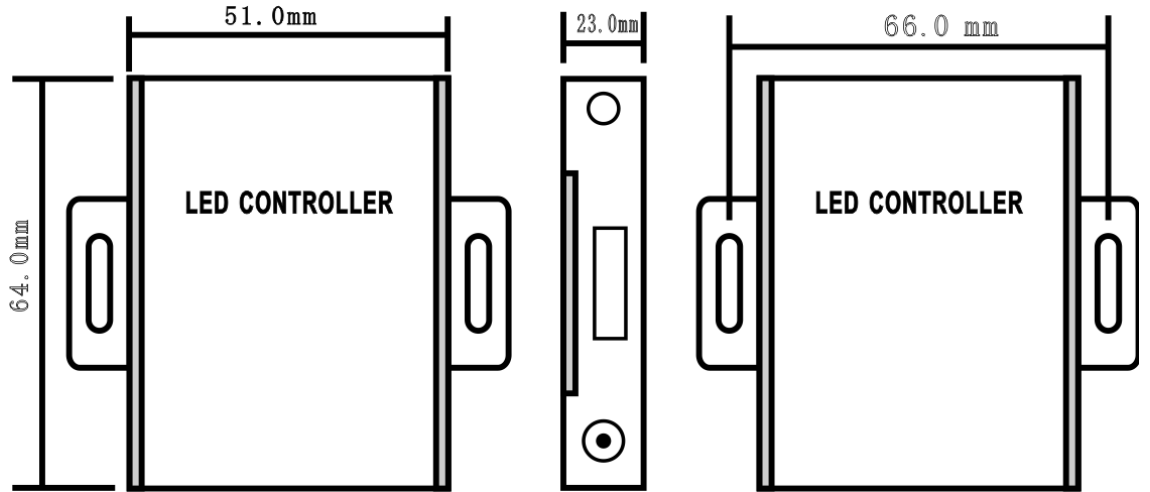


# INSTRUCTION MANUAL 89308 RGB Amplifier



WWW.QAZQA.COM





WWW.QAZQA.COM

## 1. Technology specifications

Item NO.	89308
Input voltage	DC12V
Output signal	Three-way RGB signal
Max loaded current	12A (3*4A)
Power	144W (12V)
Dimension	L76*W64* H24 (mm)
Gross weight	85.0g

## 2. Functions

- 1) RGB full color strip amplifier
- 2) To enlarge the signal
- 3) Silver shell
- 4) Three-way RGB signal (common anode or cathode)
- 5) Can be controlled by PWM (Pulse Width Modulation) technology.