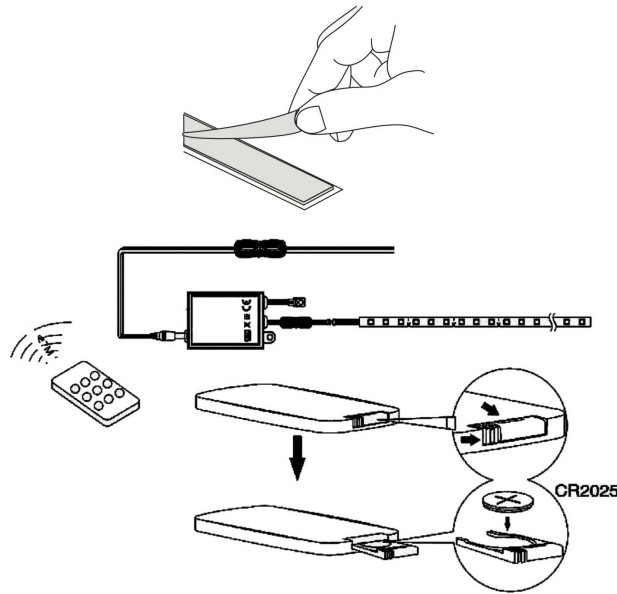
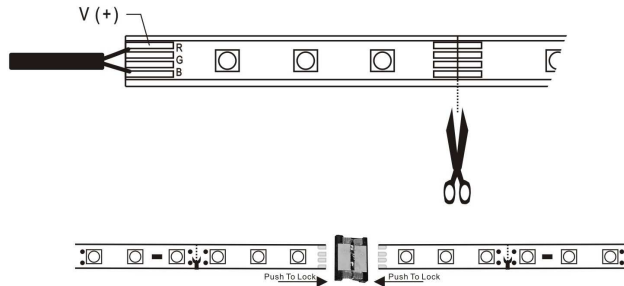




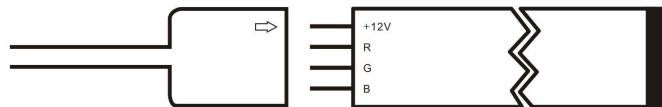
WWW.QAZQA.COM

89296

INSTRUCTION



Note: Pls Be Sure To Connect The Controller And The Strips As Below,



QAZQA

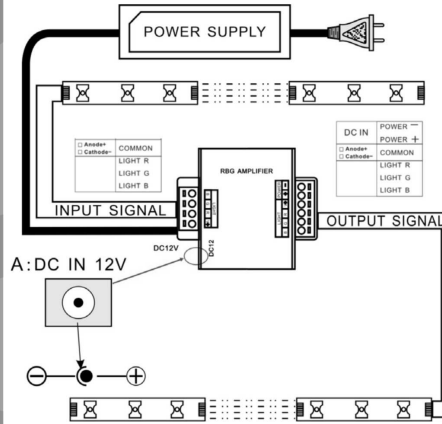


WWW.QAZQA.COM

89296

INSTRUCTION

If control strip within 10m, use the controller. For more than 10m, use the Amplifier. The Amplifier can control 20m more, connecting direction as below,



1. Technology specifications of Amplifier

Input voltage	DC12V
Output signal	Three-way RGB signal
Max loaded current	12A (3*4A)
Power	144W (12V)

2. Functions of Amplifier

- 1) RGB full color strip amplifier
- 2) To enlarge the signal

3) Silver shell

4) Three-way RGB signal (common anode or cathode)

5) Can be controlled by PWM (Pulse Width Modulation) technology.

Technology specifications of RGB strip:

Operating voltage	DC12V
Watt per meter	7.2W/M
Lumen per chip	R: 2lm G: 5.5lm B: 1.5lm
Cutting info.	Each 3leds(5cm) can be cut
Matched Driver(Watt)	12w can run max. 1.6m RGB strip 24w can run max 3.3m RGB strip 36w can run max 5m RGB strip 48w can run max. 6.6m RGB strip 72w can run max. 10m strip

Note: Please connect the strip with the controller or the amplifier first and then connect controller to the driver, and the IR sensor should be in sight so can be controlled by the remote.

QAZQA