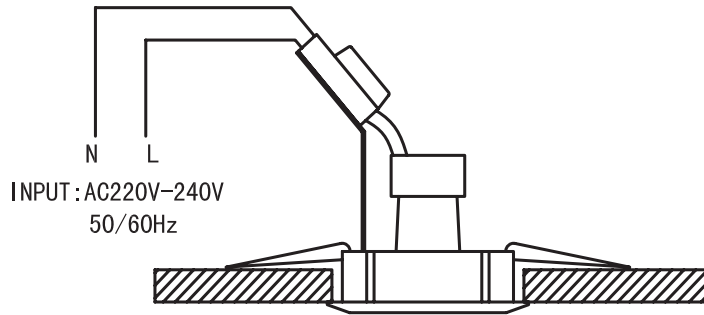
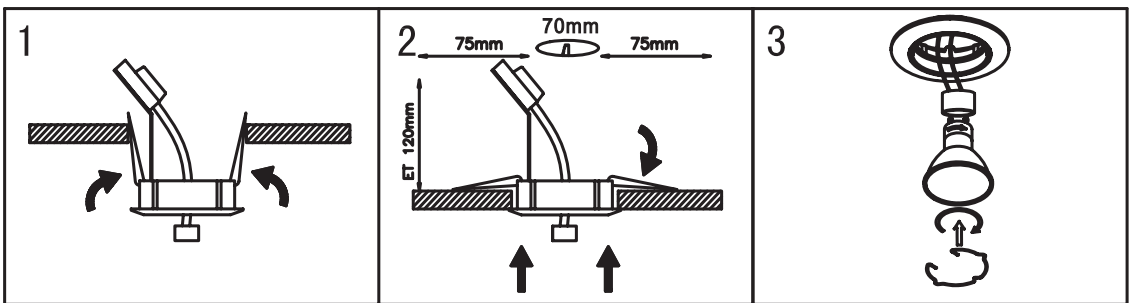
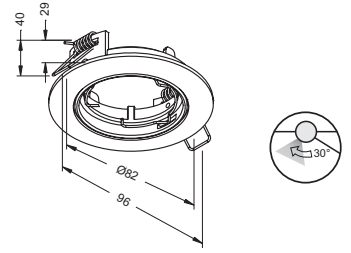


**Model:**44884/44885/45928/89194  
**Type:**Halogen lamp  
**Illuminant:**GU10/MR16 Halogen lamp

**Technical Specifications:**

- .**Voltage:**220~240V 50Hz/60Hz
- .**Power:** GU10/MR16 lamp Max. 50W
- .**IP Grade:**IP20
- .**Safe Grade:** Class II/Class III



**Recommendation for safety:**

- .Install the lighting fixture by professional only;
- .Make sure power is off before installing;
- .Do not touch the bulb when it lights on;
- .Always turn off the power for few minutes before handling or replacing the bulb;
- .Allow distance of at least 0.5m between the lamp and light surface;
- .Use only dry cloth to clean the bulb,do not use cleanser or chemical cleaning products;
- .The actual use power should not override the rated power.

