



.Model:89179

.Type:Energy Saving Downlight

.Illuminant:E27 Energy Saving bulb

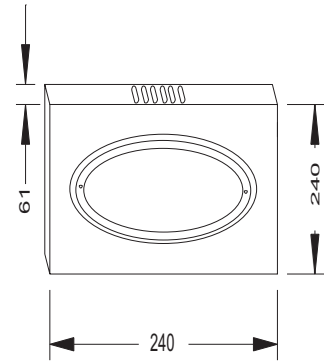
**.Technical Specifications:**

.Voltage:220~240V 50Hz/60Hz

.Power:E27 Max.2X15W

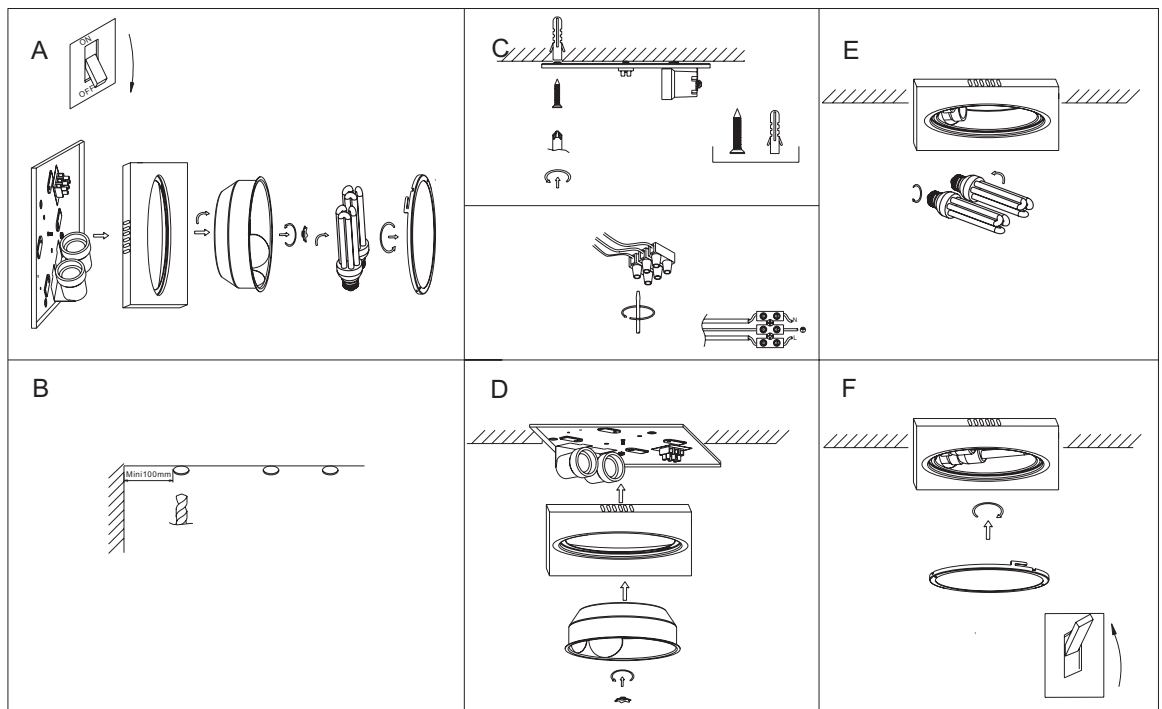
.IP Grade:IP20

.Safe Grade:Class I



**Installation:**

- .Switch off the power before installation;
- .Take down the glass plate,nut,reflector and light body in turn;
- .Cut hole  $\phi$  20mm for wire connection;
- .Fix the base on the ceiling and connect the wire according to the drawing,put on the light body,reflector,and nut in turn;
- .Install the bulbs into the lampholder,fix on the glass plate.



**Recommendation for safety:**

- .Install the lighting fixture by professional only;
- .Make sure power is off before installing;
- .Do not touch the bulb when it lights on;
- .Always turn off the power for few minutes before handling or replacing the bulb;
- .Allow distance of at least 0.5m between the lamp and light surface;
- .Use only dry cloth to clean the bulb,do not use cleanser or chemical cleaning products;
- .The actual use power should not override the rated power.