



.Model:89173

.Type:Halogen Light

.Illuminant:GU10 halogen bulb

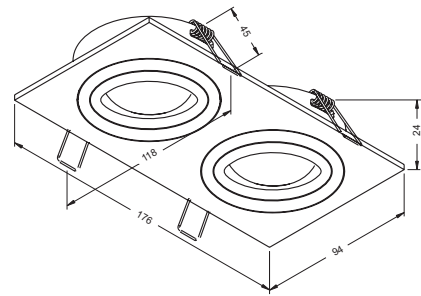
.Technical Specifications:

.Voltage:220~240V 50Hz/60Hz

.Power:GU10 bulb Max.50W

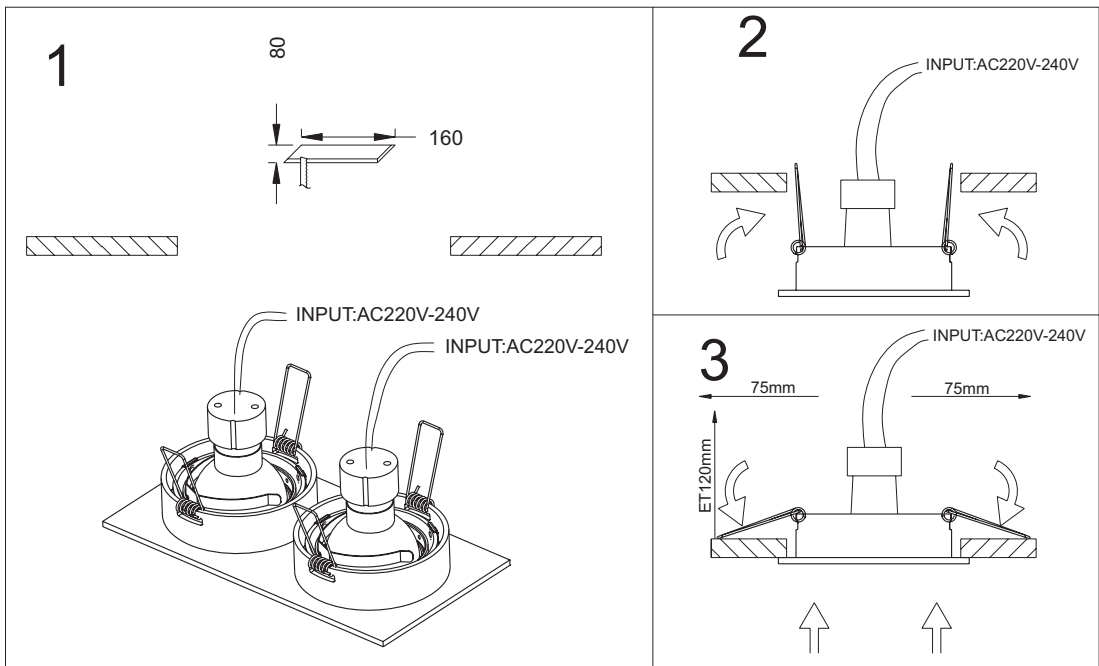
.IP Grade:IP20

.Safe Grade:Class II



Installation:

- .Switch off the power before installation;
- .Cut hole 160x80mm;
- .Connect the wire according to the drawing;
- .Install the bulb into the lampholder.
- .Turn the springs on both back sides up a certain angle by hand,which will make the lamp body and spring enter into the setting hole.Then adjusting the lighting fixture to a right position after it is fixed successfully;



Recommendation for safety:

- .Install the lighting fixture by professional only;
- .Make sure power is off before installing;
- .Do not touch the bulb when it lights on;
- .Always turn off the power for few minutes before handling or replacing the bulb;
- .Allow distance of at least 0.5m between the lamp and light surface;
- .Use only dry cloth to clean the bulb,do not use cleanser or chemical cleaning products;
- .The actual use power should not override the rated power.