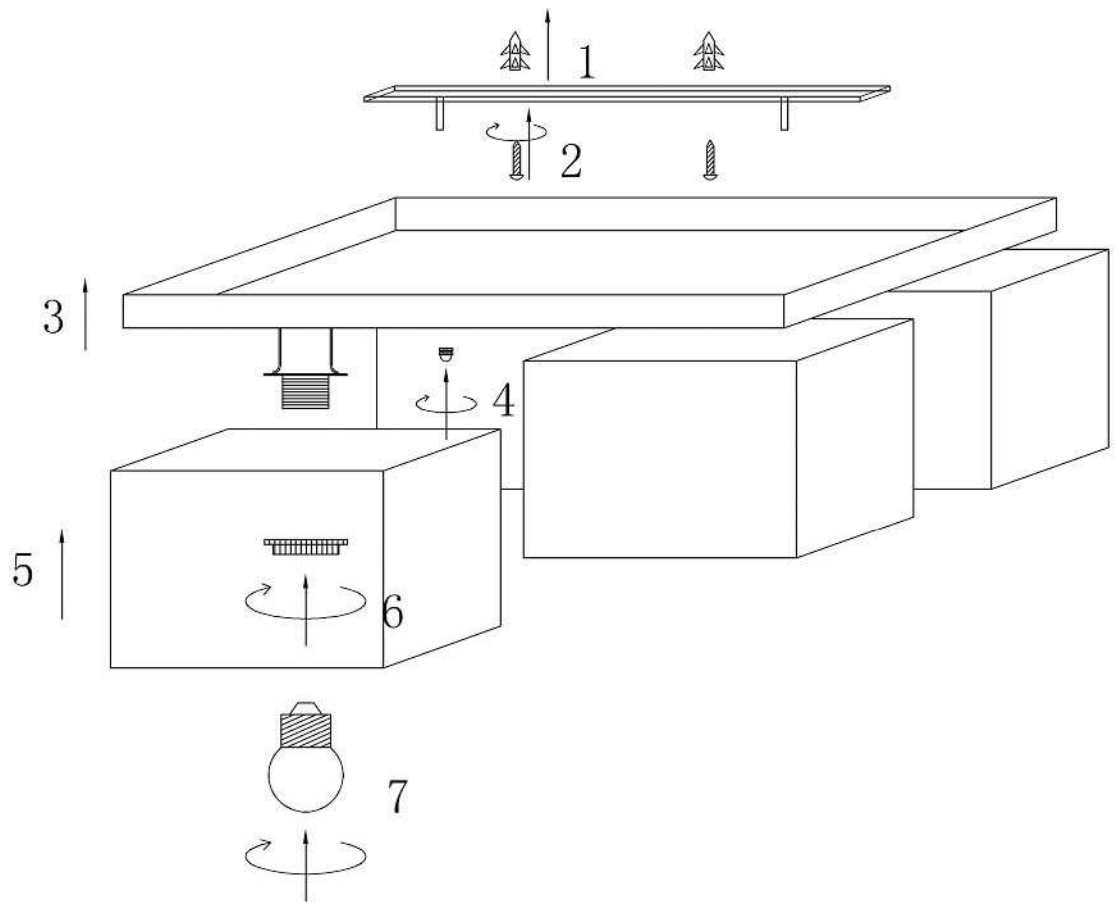




WWW.QAZQA.COM



## VT CL 4 OFF-WHITE / BLACK

88989 / 88990

### CLEANING INSTRUCTION

1. Do not clean the lamp with watery washcloth always use dry cotton fabric for cleaning.
2. Always shut off the power when cleaning the lamp.

### CAUTION

1. Keep it away from where the children can touch it in case being scalded.
2. Always shut off the power when installing or repairing.

### NOTE

Make sure the lamp has been installed according to the specification before inputting the power.

**QAZQA**