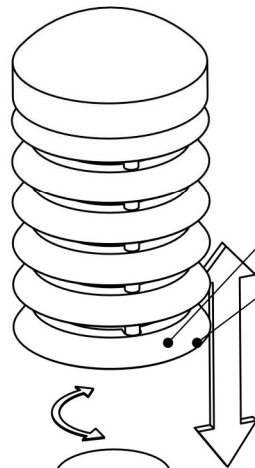




WWW.QAZQA.COM

Assembling Instruction for High Voltage Pole light Important Information for your safety

MODEL: 88942/Pole WL- Teak



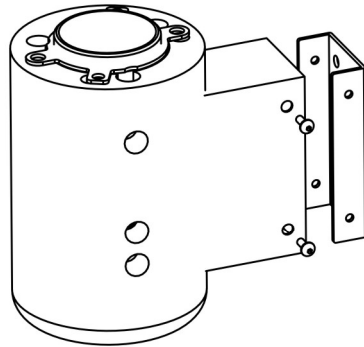
1. take up the bottom plate
2. open the nuts use the key

*Input: AC220-240V 50~60Hz

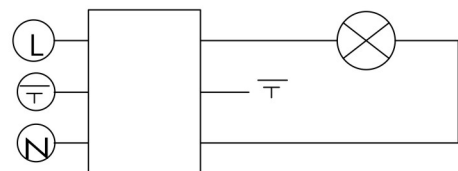
*Use Energy saving lamp

E14 Max 13W E.S.L

*IP Rating: IP54 **CE ROHS**



installation drawing:



CLASS I PRODUCT DESIGNED
WITH ground CONNECTION

QAZQA