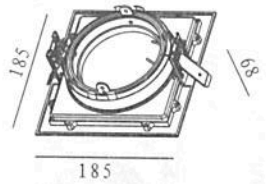




WWW.QAZQA.COM

46392



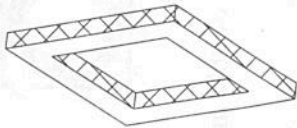
connection part

4 M4 screw

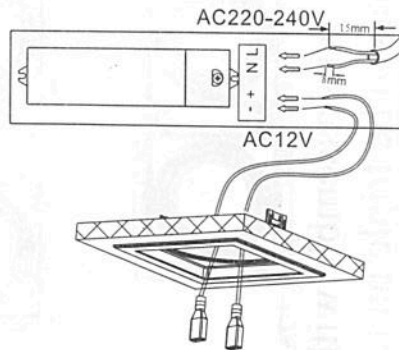


250 terminal cable

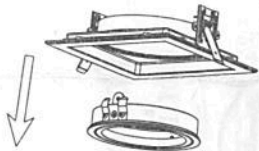
1. Cutout is 170x170mm.



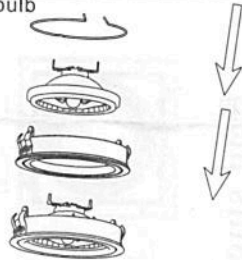
4. Connect the transformer with cable.



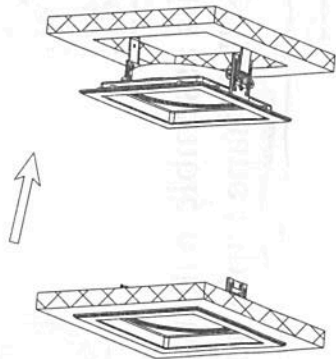
2. take out the middle ring.



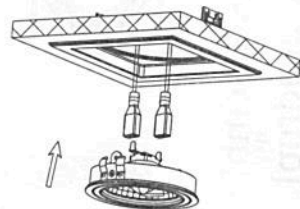
5. install bulb



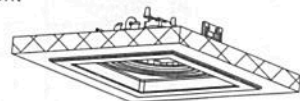
3. Install the product body into the ceiling.



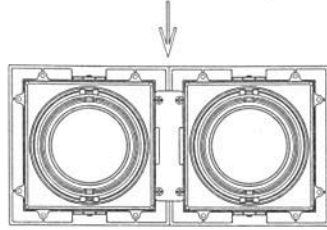
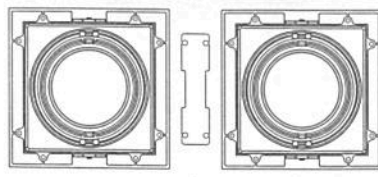
6. connect 250 terminal cable with bulb, then assemble the middle ring into the outer frame .



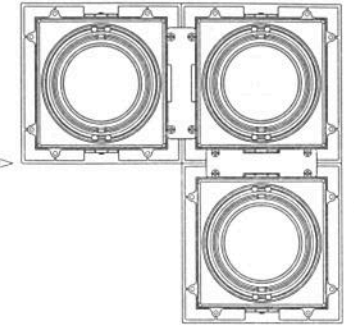
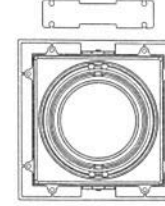
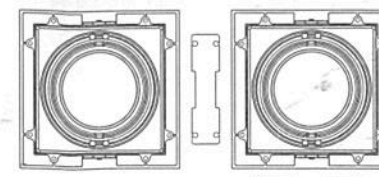
7. Finish.



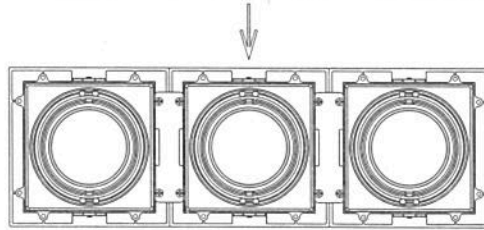
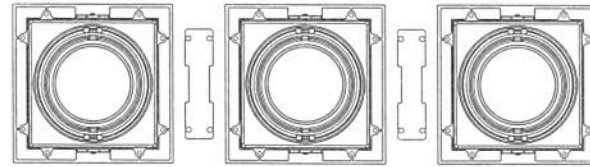
QAZQA



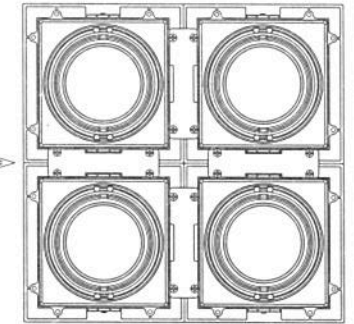
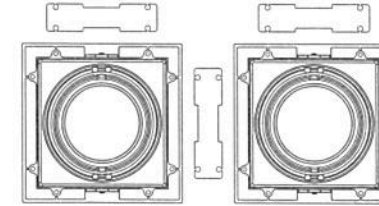
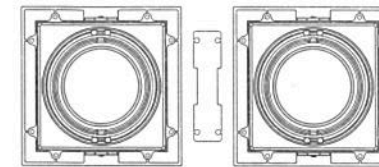
Two single units assemble with one connector to be double unit.



Three single units assemble with two connectors to be "L" shape triple unit.



Three single units assemble with two connectors to be triple unit.



Four single units assemble with four connectors to be quadruple unit.