



WWW.QAZQA.COM

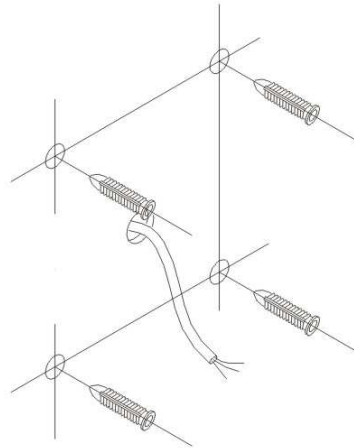
ATTENTION: FOR THIS OPERATION YOU HAVE TO CUT OFF THE POWER

Class 1 lamp

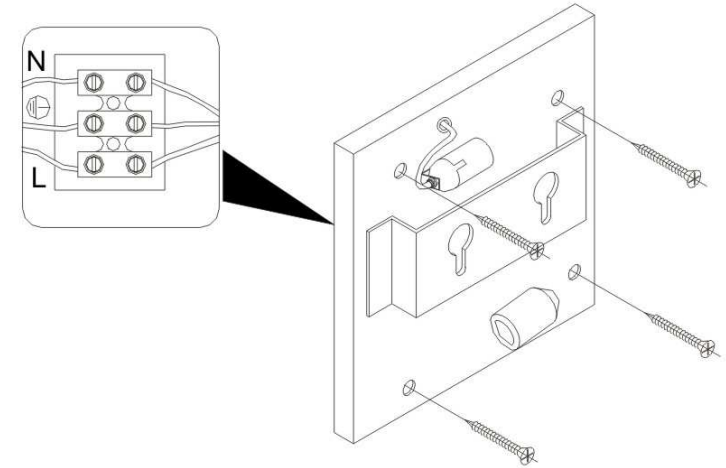
MAXIMUM

220~230V 50Hz E14 2xMax 40W

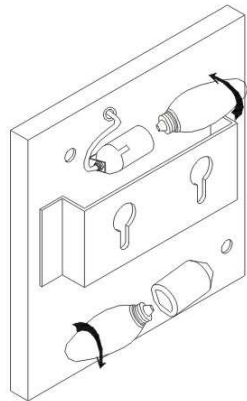
1



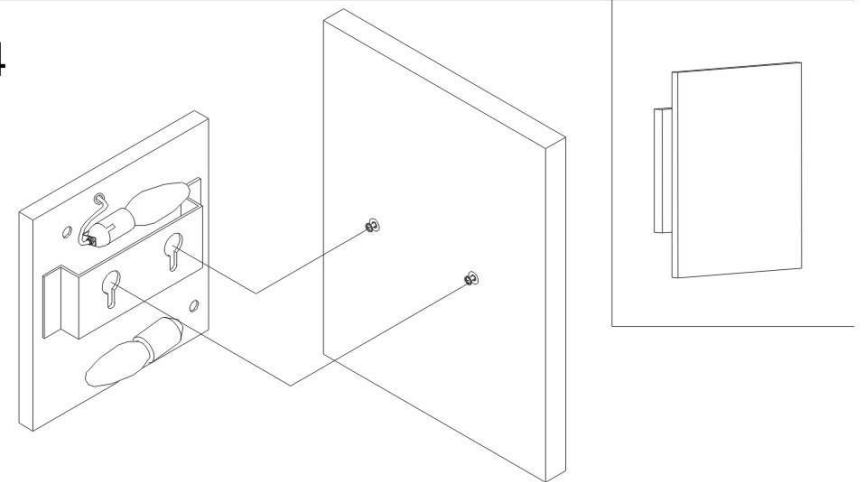
2



3



4



QAZQA