



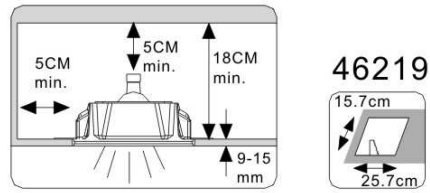
WWW.QAZQA.COM

ATTENTION:FOR THIS OPERATION YOU HAVE TO CUT OFF THE POWER

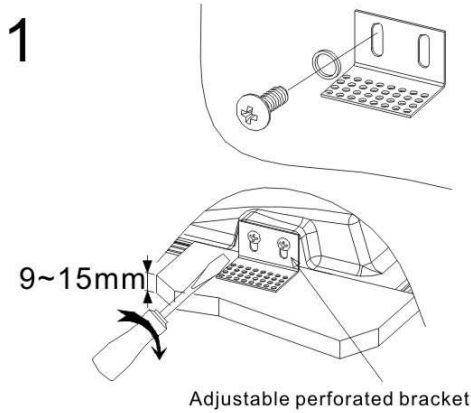
Class II lamp

MAXIMUM

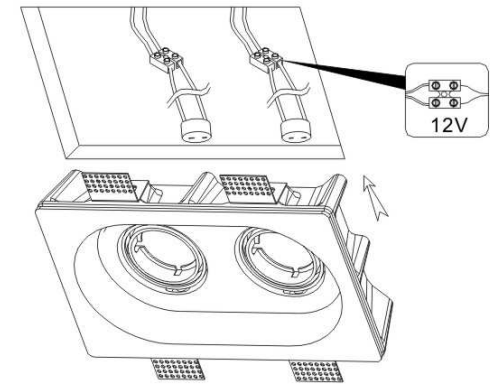
220~230V 50Hz PAR16 2xMAX 50W/GU10



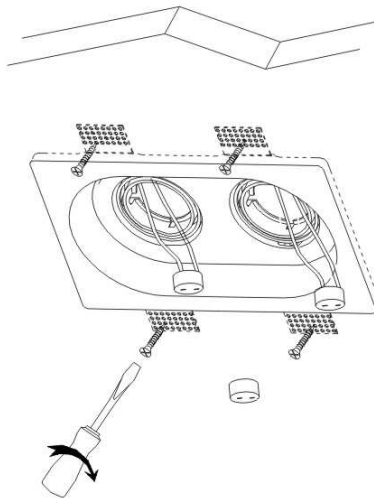
1



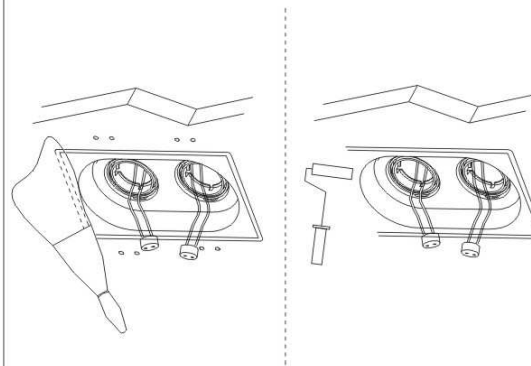
2



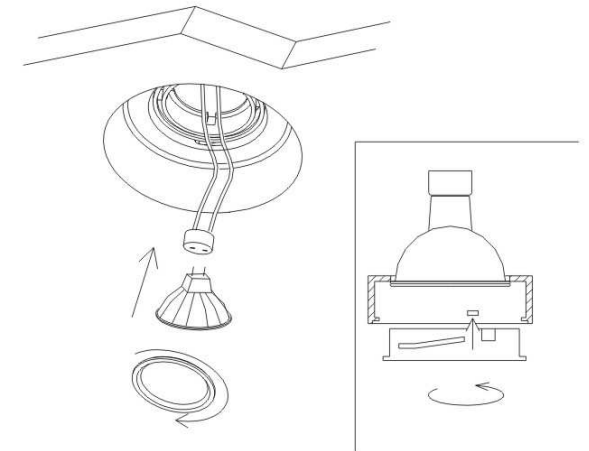
3



4



5



QAZQA