



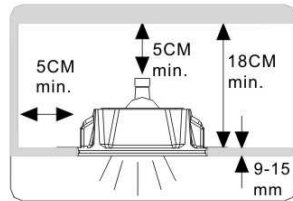
WWW.QAZQA.COM

ATTENTION: FOR THIS OPERATION YOU HAVE TO CUT OFF THE POWER

Class II lamp

MAXIMUM

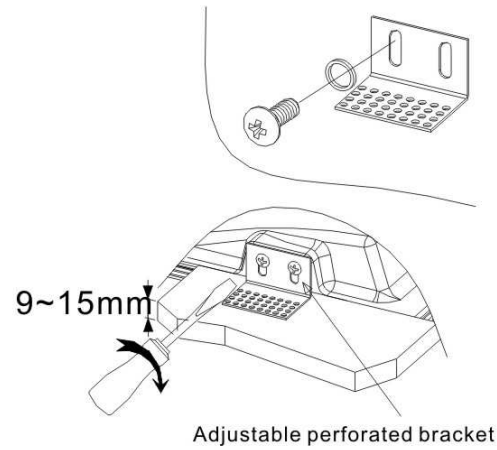
220~230V 50Hz PAR16 MAX 50W/GU10



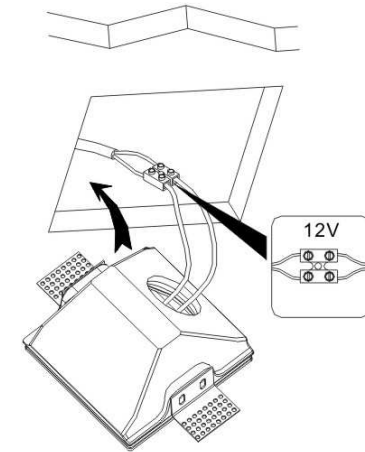
46216



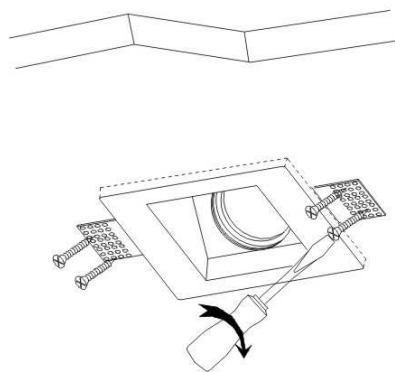
1



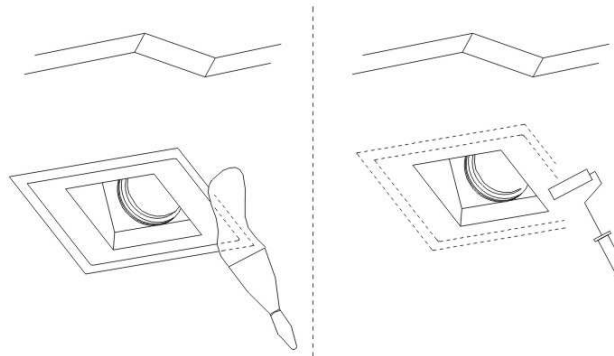
2



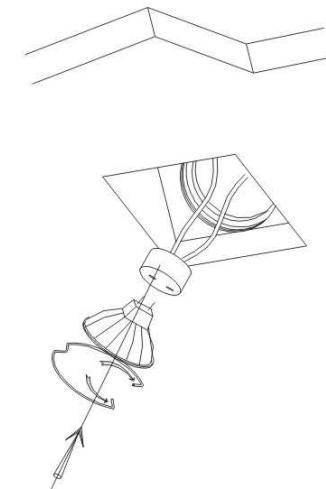
3



4



5



QAZQA