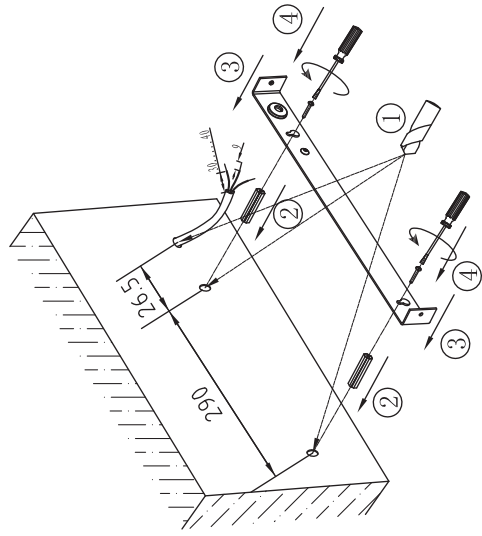
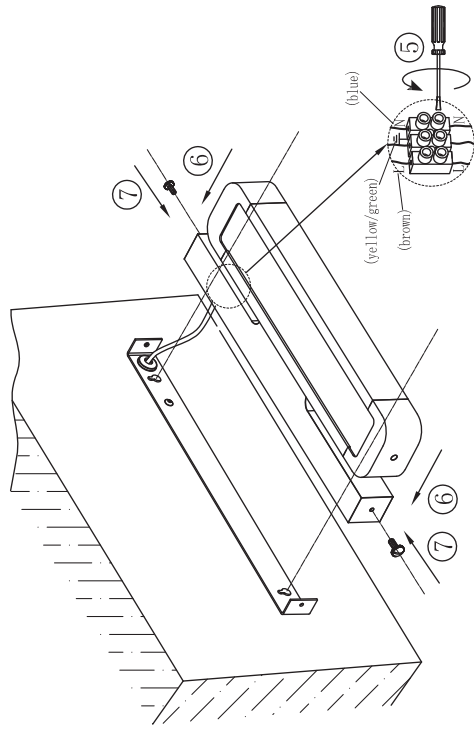


# INSTRUCTION

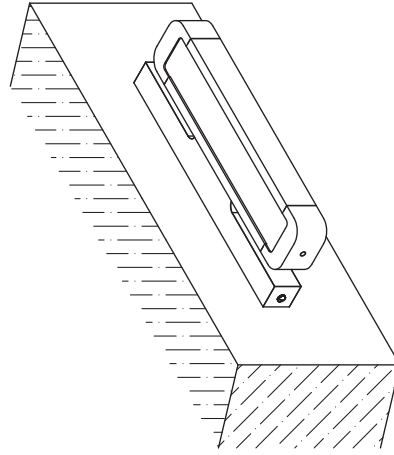


I



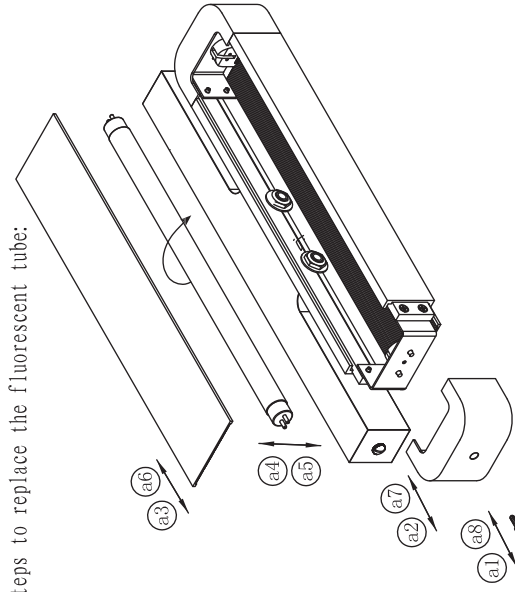
II

Attention:  
The fixture should be assembled and installed by professionals!



III

The steps to replace the fluorescent tube:



Length for the housing

Watt	21W	28W	35W
L (mm)	903	1203	1503

