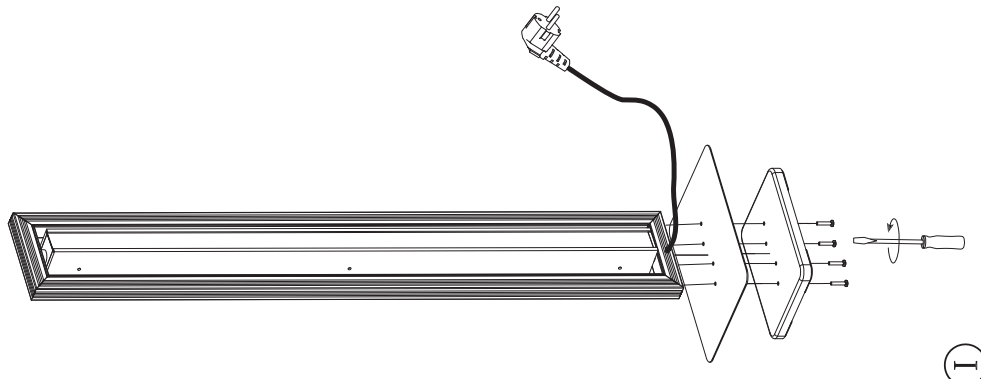


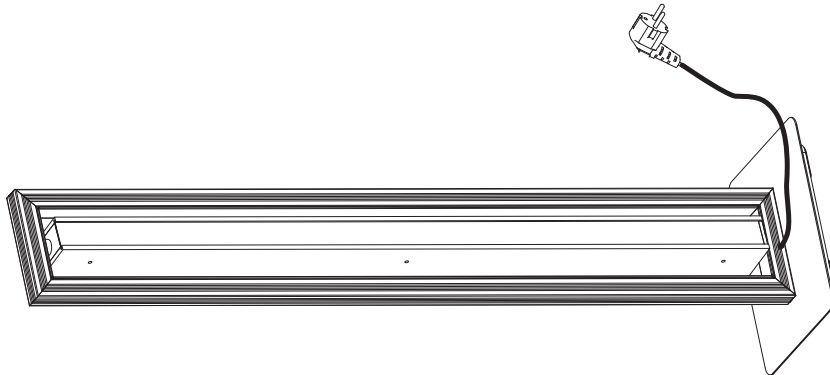
46198

# INSTRUCTION



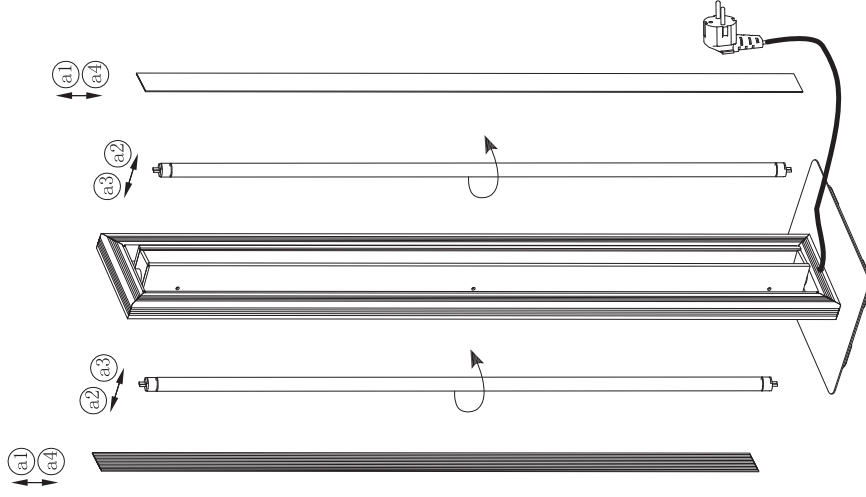
I

Attention:  
The fixture should be assembled and installed by professionals!

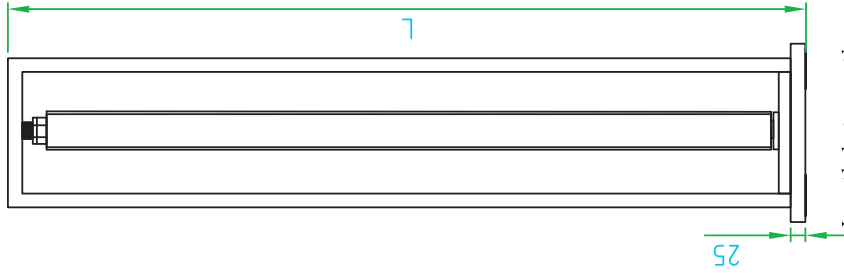


II

The steps to replace the fluorescent tube:



III



Length between the suspension cups

Watt	28W	35W
L (mm)	1360	1660

# QAZQA



WWW.QAZQA.COM