

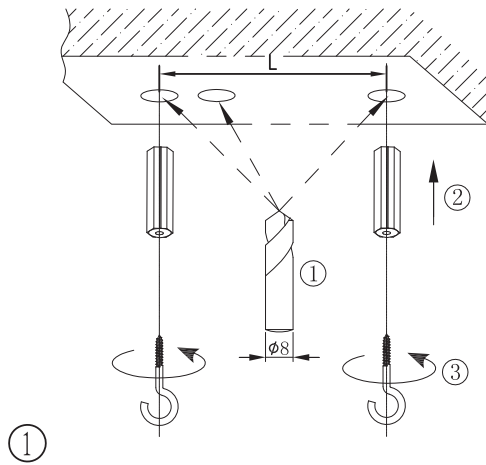
INSTRUCTION



WWW.QAZQA.COM

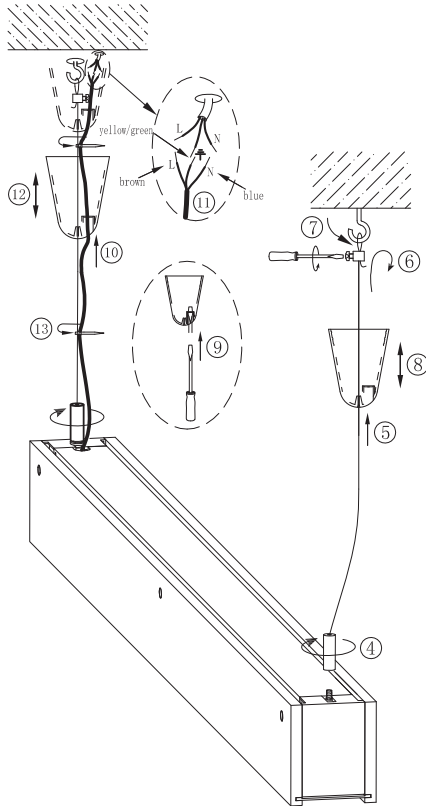
Length between the susoension cups

Watt	21W	28W	35W
L (mm)	849	1149	1449

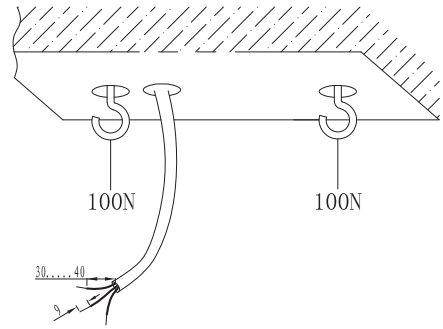


①

Attention:
The fixture should be assembled and installed by professionals!

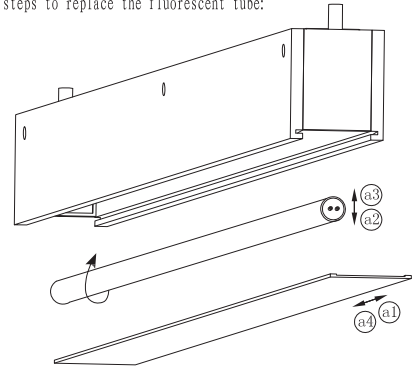


③

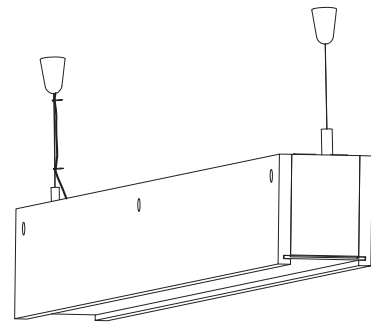


②

The steps to replace the fluorescent tube:



④



⑤

Length for the housing

Watt	21W	28W	35W
L (mm)	880	1180	1480

