



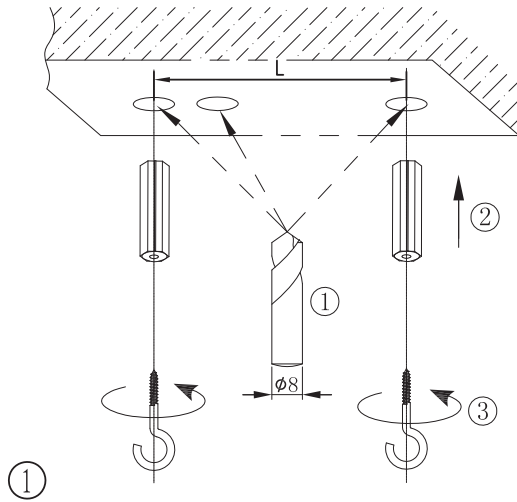
WWW.QAZQA.COM

46192

INSTRUCTION

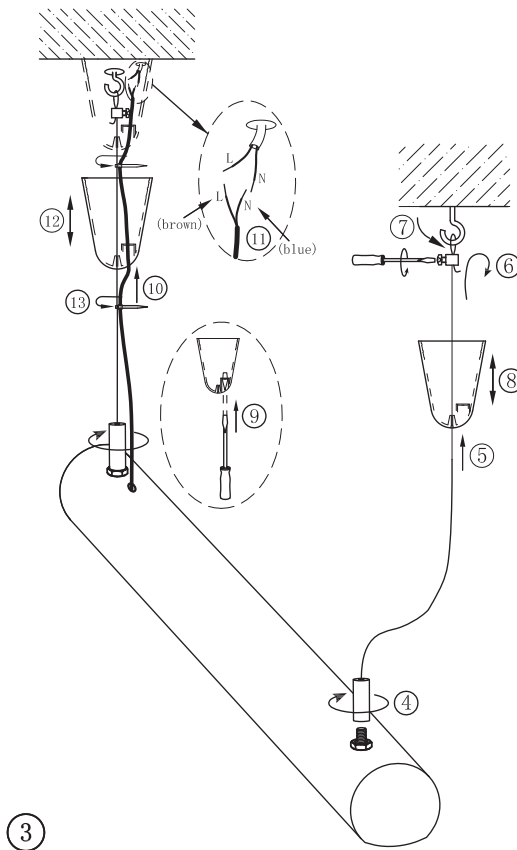
Length between
the suspension cups

Watt	21W	28W
L (mm)	837	1137

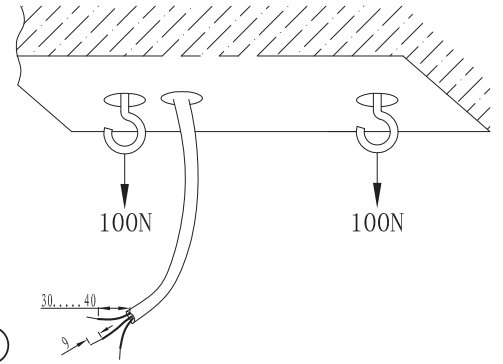


1

Attention:
The fixture should be assembled and installed by professionals!

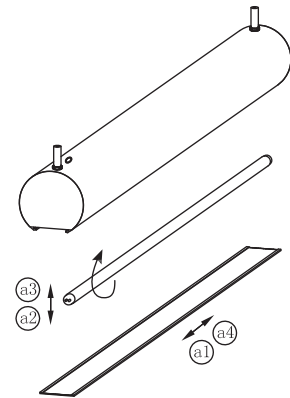


3

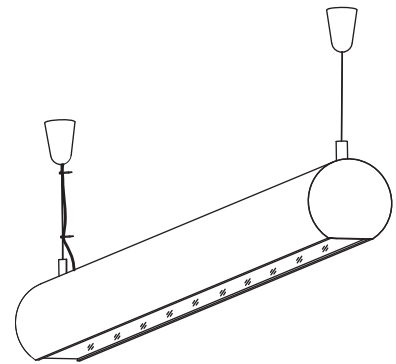


2

The steps to replace the fluorescent tube:

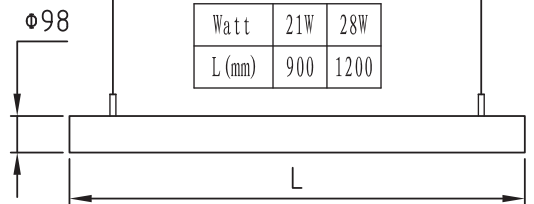


4



5

Length for the housing



Watt	21W	28W
L (mm)	900	1200

QAZQA