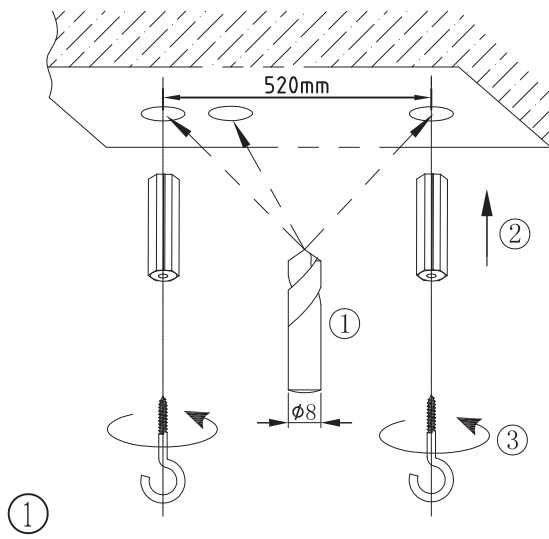


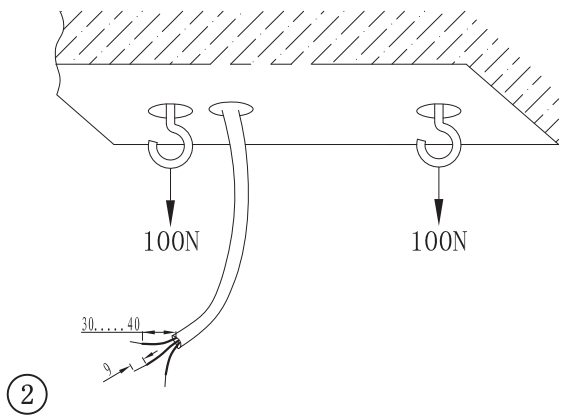
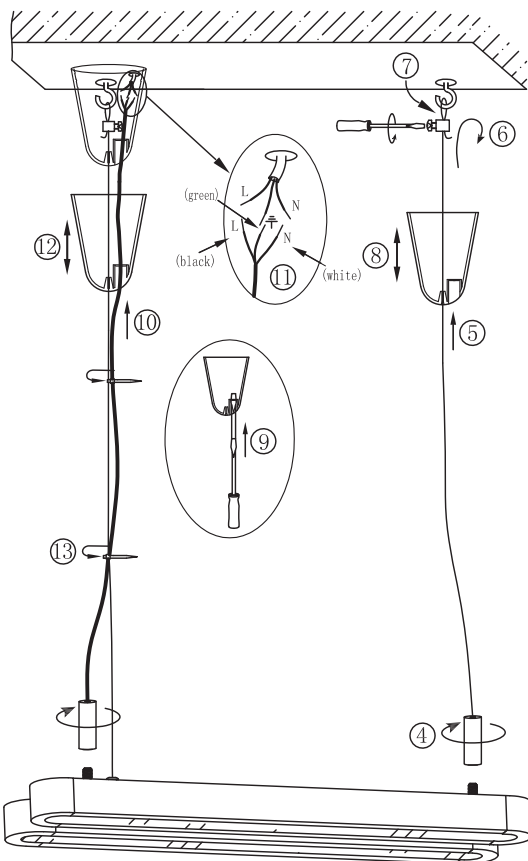
INSTRUCTION



WWW.QAZQA.COM



Attention:
The fixture should be assembled and installed by professionals!



The steps to replace the fluorescent tube:

