



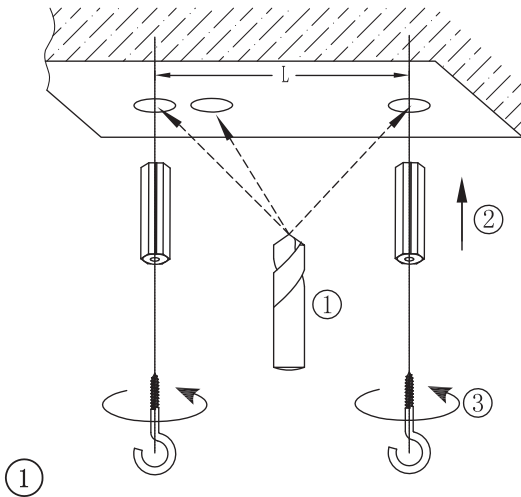
WWW.QAZQA.COM

46186/46187

# INSTRUCTION

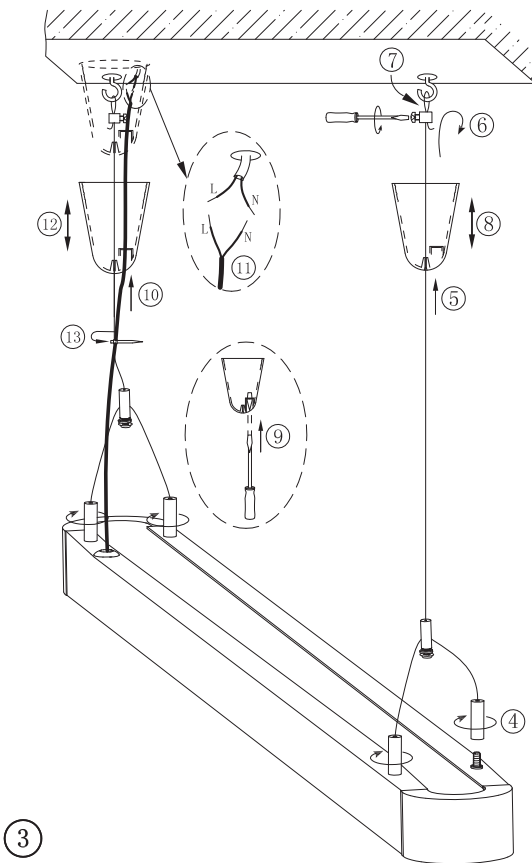
Length between the suspension cups

Watt	21W	28W	35W
L (mm)	726	1026	1326

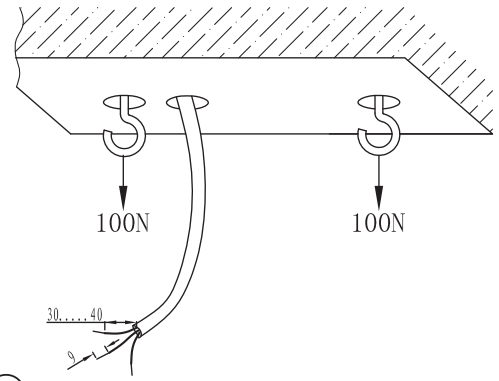


1

Attention:  
The fixture should be assembled and installed by professionals!

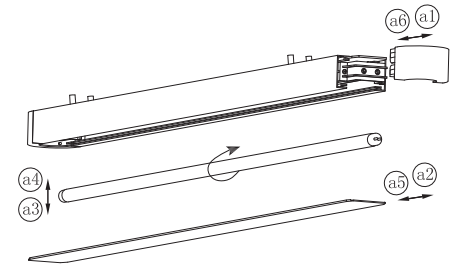


3

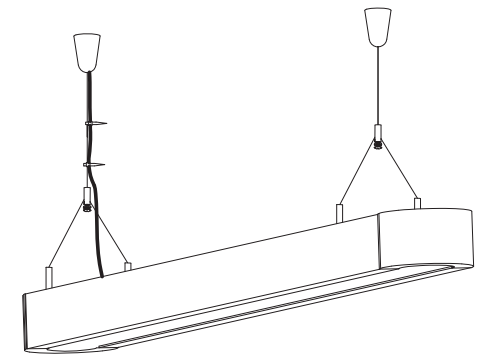


2

The steps to replace the fluorescent tube:



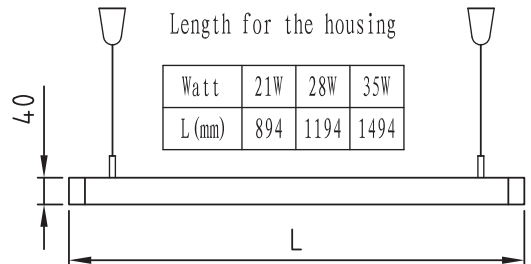
4



5

Length for the housing

Watt	21W	28W	35W
L (mm)	894	1194	1494



# QAZQA