



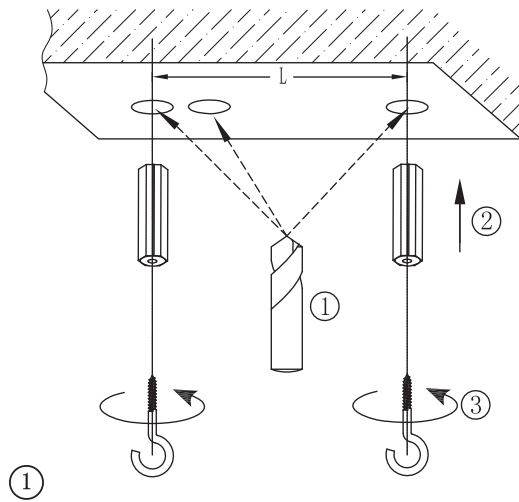
WWW.QAZQA.COM

46184/46185

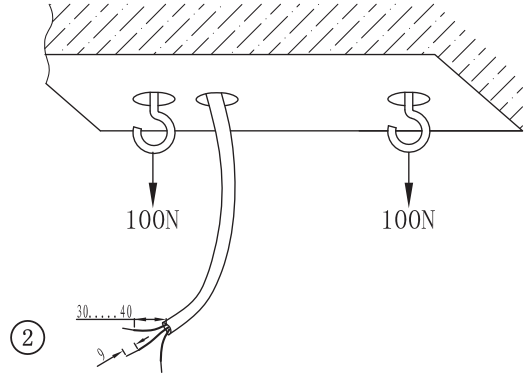
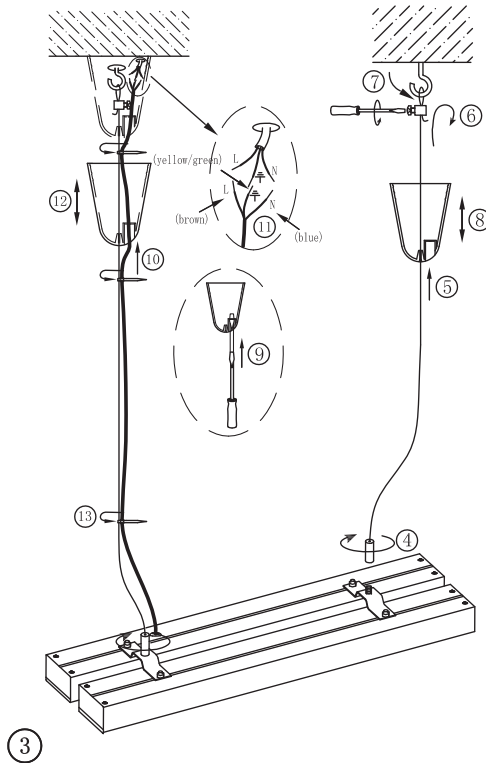
INSTRUCTION

Length between the suspension cups

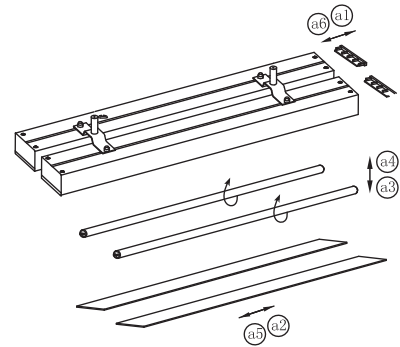
Watt	21W	28W	35W
L (mm)	542	642	742



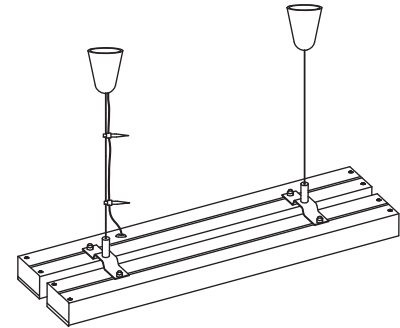
Attention:
The fixture should be assembled and installed by professionals!



The steps to replace the fluorescent tube:

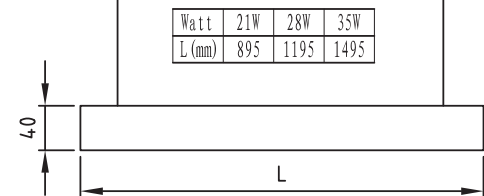


④



⑤

Length for the housing



Watt	21W	28W	35W
L (mm)	895	1195	1495

QAZQA