



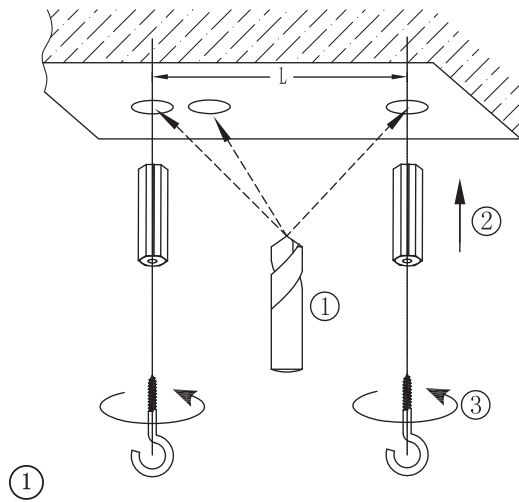
WWW.QAZQA.COM

46184/46185

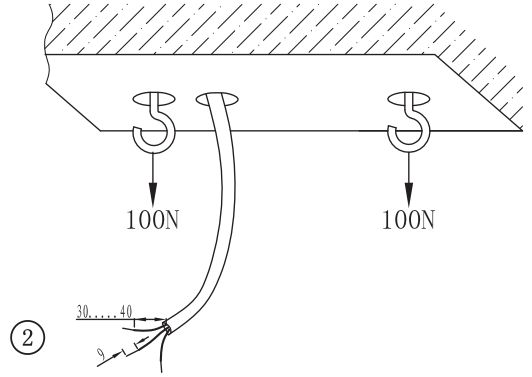
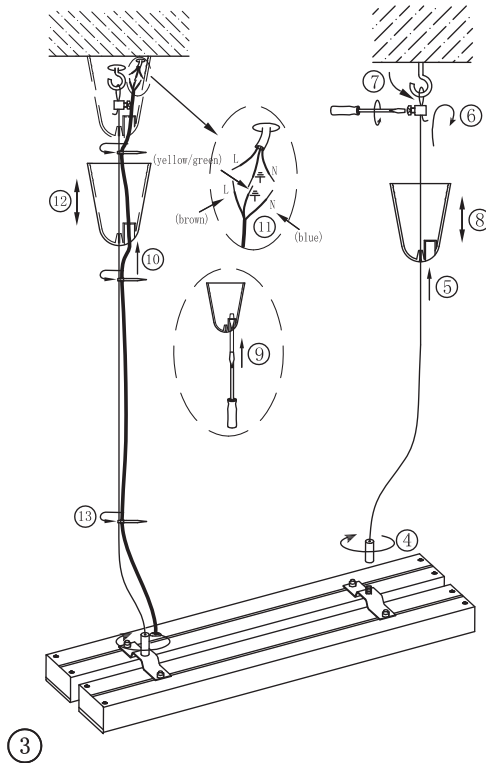
# INSTRUCTION

Length between the suspension cups

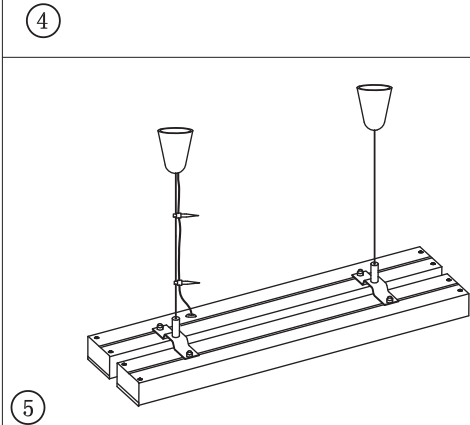
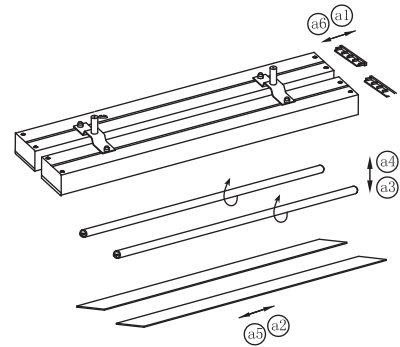
Watt	21W	28W	35W
L (mm)	542	642	742



Attention:  
The fixture should be assembled and installed by professionals!

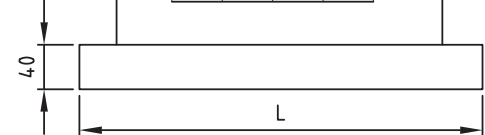


The steps to replace the fluorescent tube:



Length for the housing

Watt	21W	28W	35W
L (mm)	895	1195	1495



# QAZQA