

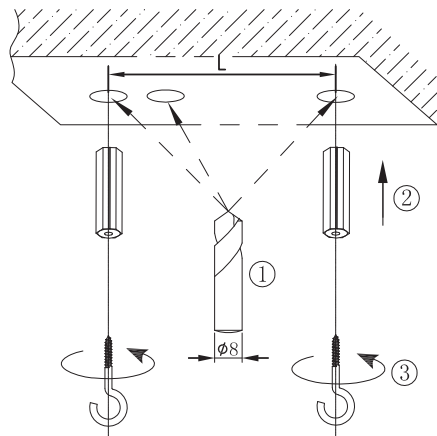
INSTRUCTION



WWW.QAZQA.COM

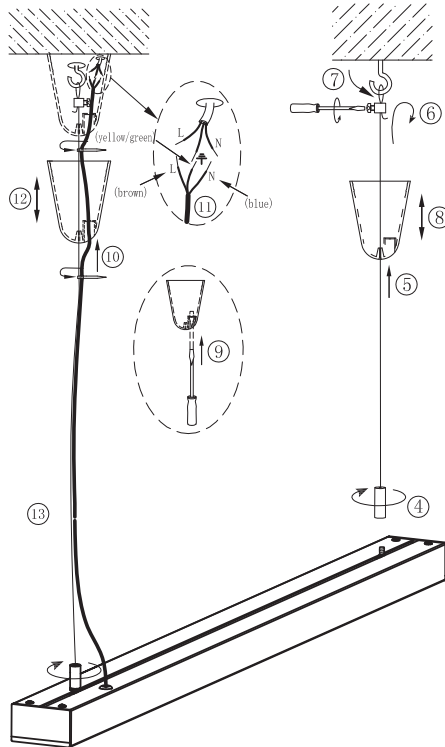
Length between the susuoension cups

Watt	21W	28W	35W
L (mm)	542	642	742

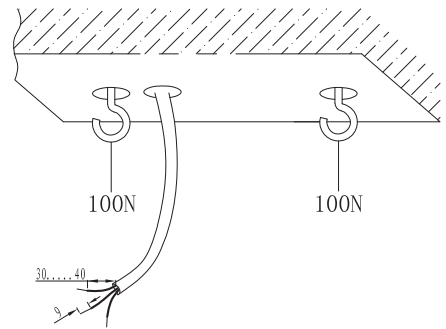


①

Attention:
The fixture should be assembled and installed by professionals!

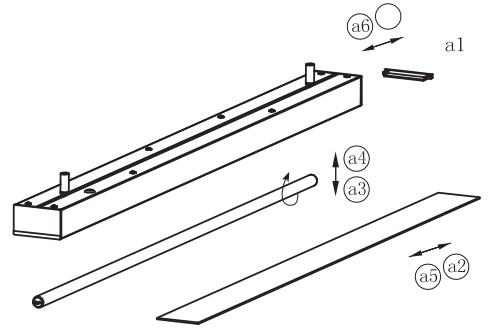


②

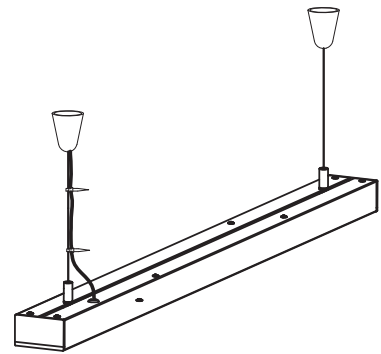


③

The steps to replace the fluoreuscent tube:



④



⑤

Length for the housing

Watt	21W	28W	35W
L (mm)	895	1195	1495

