

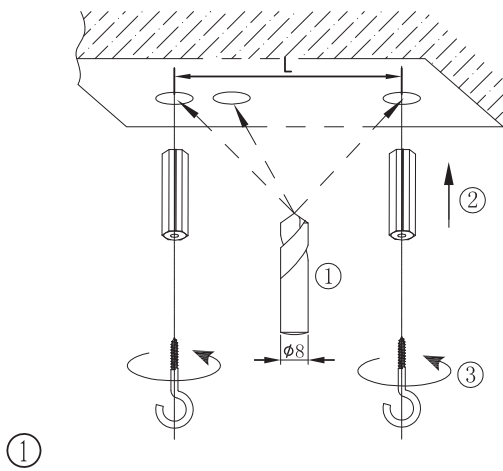
# INSTRUCTION



WWW.QAZQA.COM

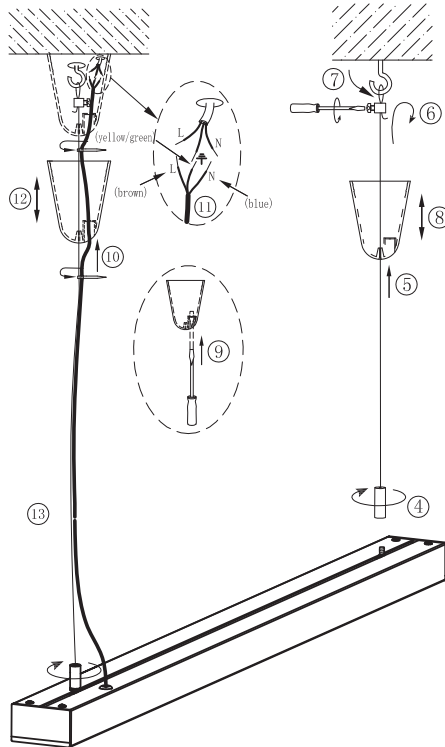
Length between the susuoension cups

| Watt   | 21W | 28W | 35W |
|--------|-----|-----|-----|
| L (mm) | 542 | 642 | 742 |

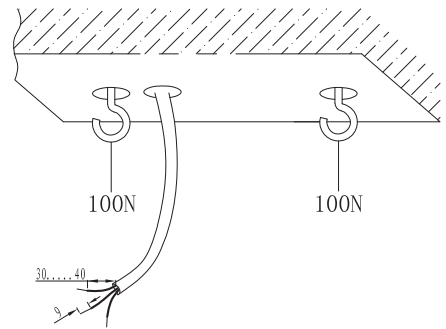


①

Attention:  
The fixture should be assembled and installed by professionals!

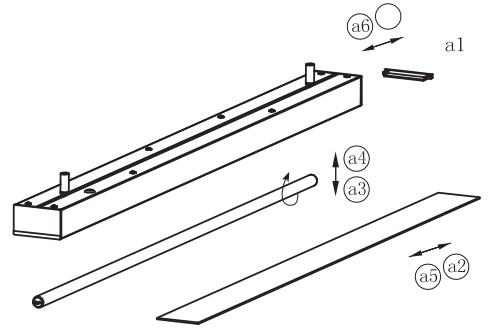


③

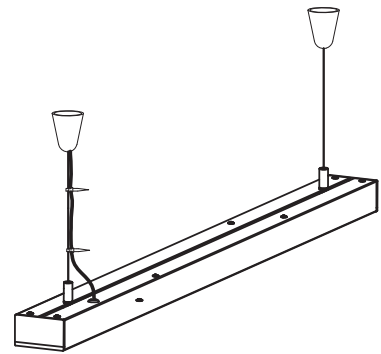


②

The steps to replace the fluorecent tube:



④



⑤

Length for the housing

| Watt   | 21W | 28W  | 35W  |
|--------|-----|------|------|
| L (mm) | 895 | 1195 | 1495 |

