



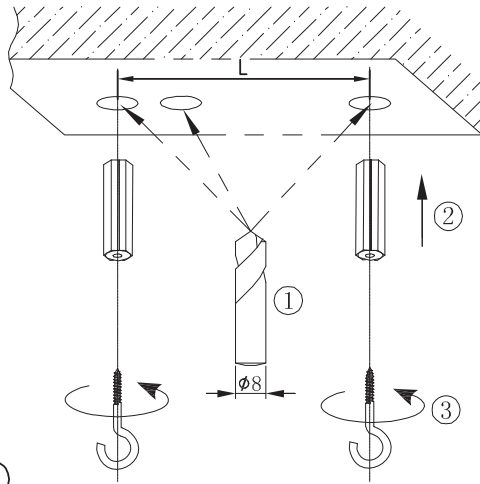
WWW.QAZQA.COM

46177/46178/46179

INSTRUCTION

Length between
the suspension cups

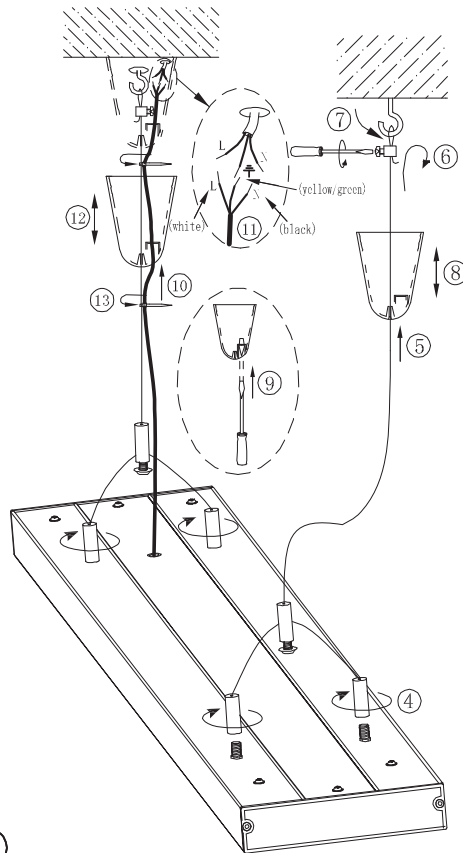
Watt	21W	28W	35W
L (mm)	584	734	884



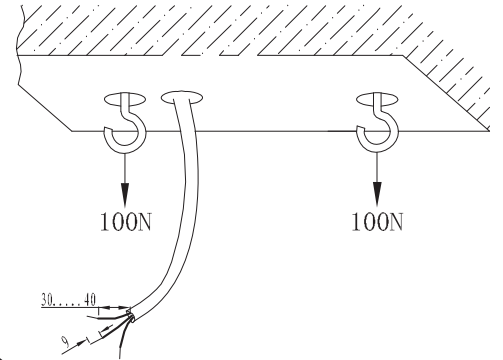
①

Attention:

The fixture should be assembled and installed by professionals!

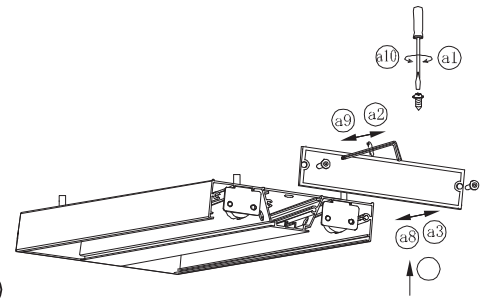


③

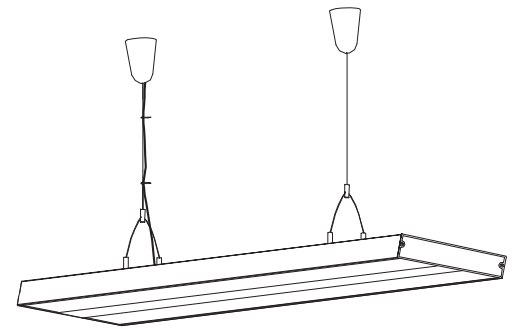


②

The steps to replace the fluorescent tube:



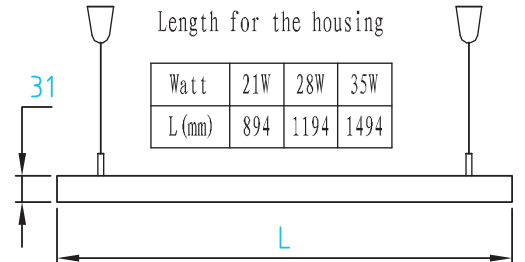
④



⑤

Length for the housing

Watt	21W	28W	35W
L (mm)	894	1194	1494



QAZQA