



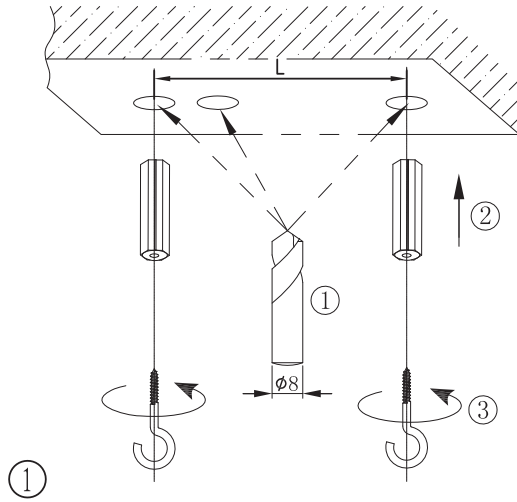
WWW.QAZQA.COM

46174/46175

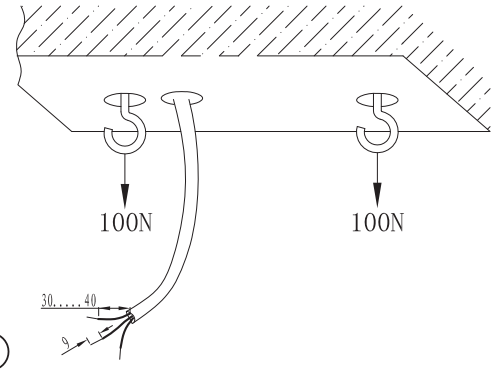
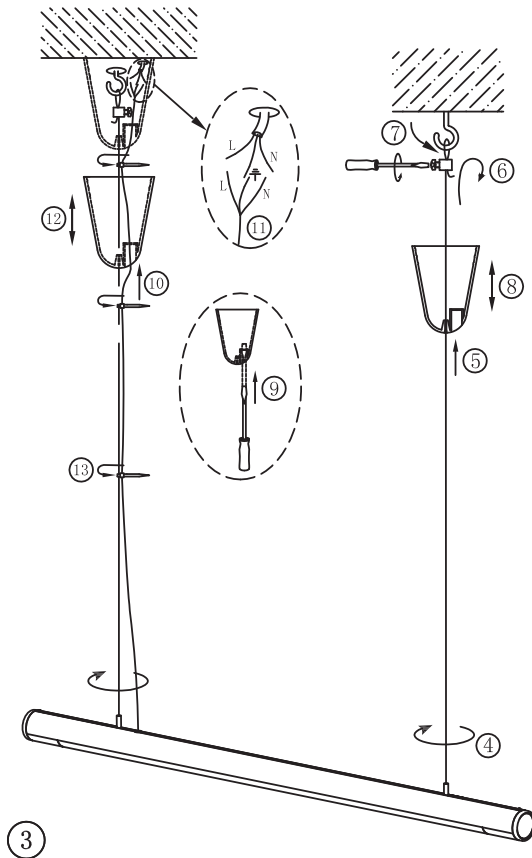
INSTRUCTION

Length between the suspension cups

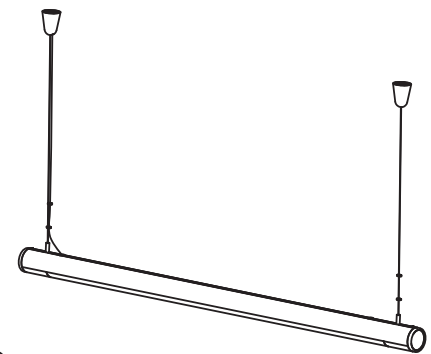
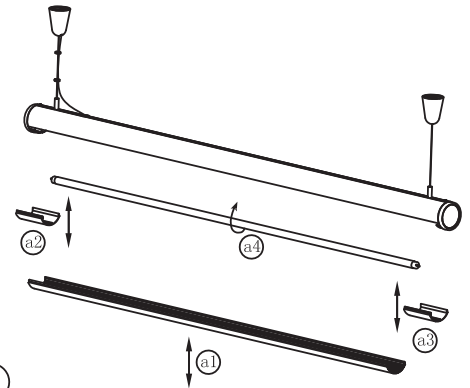
Watt	21W	28W	35W
L (mm)	900	1200	1500



Attention:
The fixture should be assembled and installed by professionals!

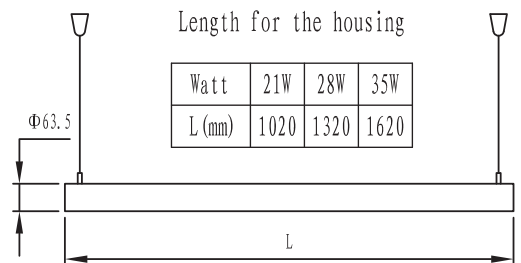


The steps to replace the fluorescent tube:



Length for the housing

Watt	21W	28W	35W
L (mm)	1020	1320	1620



QAZQA