



WWW.QAZQA.COM

INSTALLATION INSTRUCTIONS

WARNING

If in doubt or difficulty is experienced contact a qualified electrician.

SAFETY FIRST

Take special care when fitting the light bulbs on to the lampholder, careless treatment of the light bulbs will result them breaking.

IMPORTANT!

Make sure that the power is switched off at the electricity mains supply before commencing work.

BEFORE STARTING

Please read through these instructions and keep them for future reference.

REPLACEMENT LAMP

Maximum wattage – see label

CLEANING CARE

Clean with a soft dry cloth.

SAFETY INFORMATION

Always switch off the electricity supply and allow to cool for 10 minutes before changing light bulbs or cleaning or checking.

Replace any cracked/damaged diffuser immediately-do not use if they are damaged. Please use the double-pole-off switch.

We suggest that you use H05RN-F specification cable (not supplied) which is an outdoor grade, rubber sheathed cable. The cable must have a minimum cross sectional area of 1.0mm².

WIRING DIAGRAM

Fitting wire colour	Household circuit
Green/Yellow - connect to	- Earth/Yellow/Green
Brown - connect to	- Live/Brown or Red
Blue - connect to	- Neutral/Blue or Black

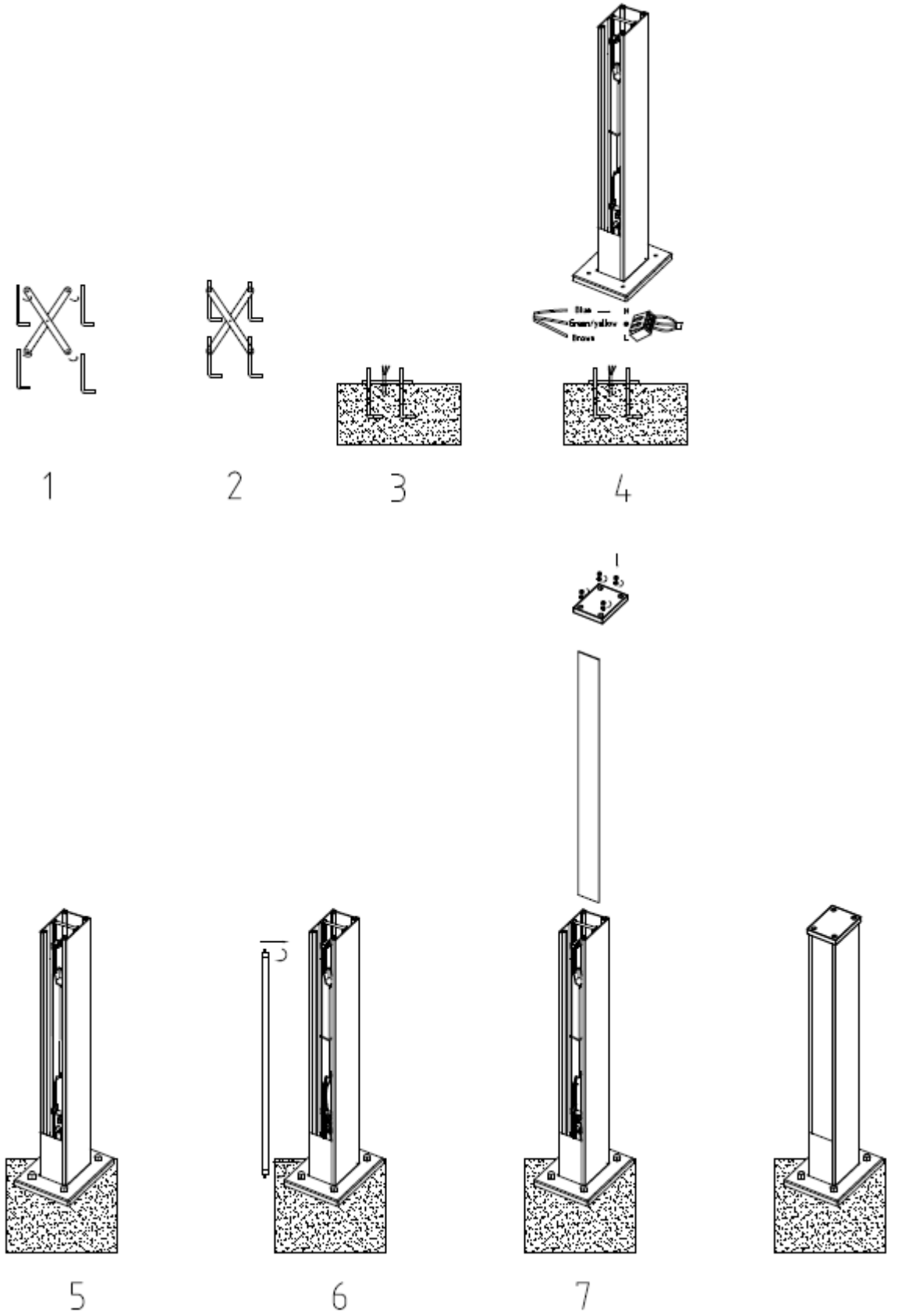
PARAMETER:

IP Rating	IP44
Rated Voltage	AC 220-240V, 50Hz
Rated Wattage	Max. 21W T5
Protection Class	Class I
Lampholder	G5



WWW.QAZQA.COM

FIGURE



45833

QAZQA