



WWW.QAZQA.COM

# INSTALLATION INSTRUCTIONS

## **WARNING**

If in doubt or difficulty is experienced contact a qualified electrician.

## **SAFETY FIRST**

Take special care when fitting the light bulbs on to the lampholder, careless treatment of the light bulbs will result them breaking.

## **IMPORTANT!**

Make sure that the power is switched off at the electricity mains supply before commencing work.

## **BEFORE STARTING**

Please read through these instructions and keep them for future reference.

## **REPLACEMENT LAMP**

Maximum wattage – see label

## **CLEANING CARE**

Clean with a soft dry cloth.

## **SAFETY INFORMATION**

Always switch off the electricity supply and allow to cool for 10 minutes before changing light bulbs or cleaning or checking.

Replace any cracked/damaged diffuser immediately-do not use if they are damaged. Please use the double-pole-off switch.

We suggest that you use H05RN-F specification cable (not supplied) which is an outdoor grade, rubber sheathed cable. The cable must have a minimum cross sectional area of 1.0mm<sup>2</sup>.

## **WIRING DIAGRAM**

Fitting wire colour	Household circuit
Green/Yellow - connect to	- Earth/Yellow/Green
Brown - connect to	- Live/Brown or Red
Blue - connect to	- Neutral/Blue or Black

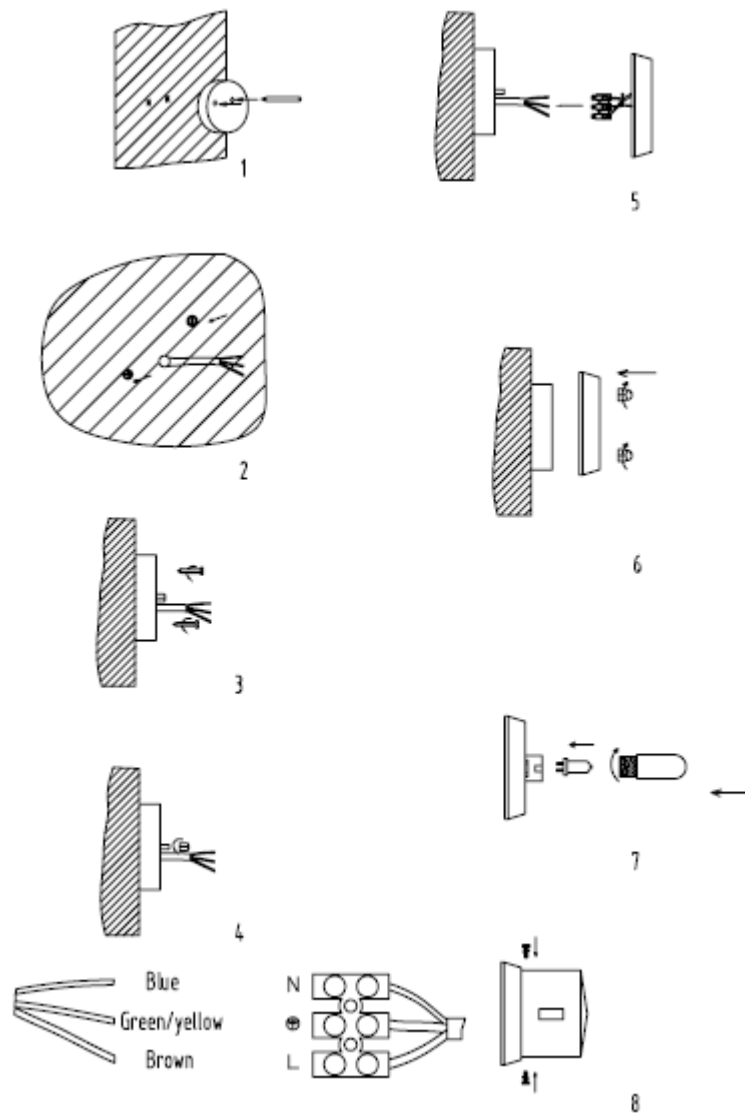
## **PARAMETER:**

IP Rating	IP65
Rated Voltage	AC 220-240V, 50Hz
Rated Wattage	Max. 40W
Protection Class	Class I
Source of light	G9



WWW.QAZQA.COM

**FIGURE**



45830

**QAZQA**