

INSTALLATION INSTRUCTIONS

Please read these instructions carefully before attempting to install this product. It is advisable to keep these instructions in a safe place for future reference. This product must be installed in accordance with current IEE Wiring regulations and building regulations by a qualified electrician.

PARAMETER:

IP Rating	IP54
Rated Voltage	AC 220-240V, 50Hz
Rated Wattage	Max.22W T5
Protection Class	Class I
Lampholder	2GX13

SAFETY DIRECTION:

1. Before starting the installation, please ensure to disconnect the power.
2. After turning on the switch, temperature of bulb rises gradually, when bulb is lighting or not completely cooled, please don't touch bulb with hand.
3. It should change bulb, please cut off the power first, then change the bulb after the bulb has been cooled enough (for details see the specified of changing bulb).
4. The bulb mustn't exceed the specified wattage specified on fixture label.
5. Before turning on light, please be sure the power conform to all kinds of parameter which are required by lamp max wattage of bulb.
6. When protective shield are damaged, must change new one, don't use without protective shield.
7. Be sure to connect ground lead.
8. Please use the 3G1mm² wire.
9. Please use the double-pole-off switch.
10. Replace any cracked/damaged diffuser immediately, do not use if they are damaged.

Electrical Installation

Always switch off the electricity supply at the mains during installation and maintenance. We recommend that the fuse is withdrawn or circuit breaker switched off at the distribution board whilst work is in progress (turning off the light switch is not sufficient).

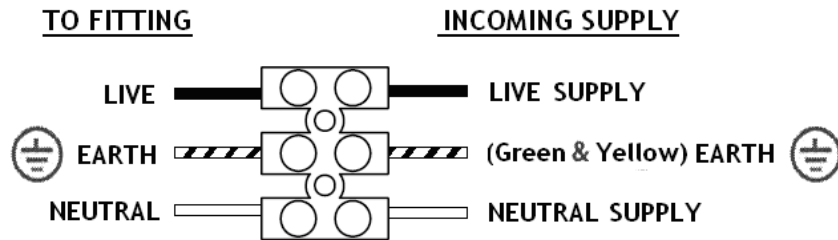
1. Separate the backing plate from the fitting by removing the securing screw(s).
2. After choosing the desired location for the fitting, use the backing plate as a template to mark the position of the drill holes. Drill with a suitable drill bit and plug the mounting holes with suitable plastic wall plugs. Take care not to foul any mains cables or pipes below the surface while drilling.
3. Use a sharp object to pierce the rubber grommet in the backing plate.
4. Feed the incoming mains cable through the rubber grommet in the backing plate and attach the backing plate to the wall with suitable wall screws.
5. Connection to the mains should be made using the general wiring code shown on diagram. Ensure that the connections are tight and no loose strands of wire are left out of the terminal block.



WWW.QAZQA.COM



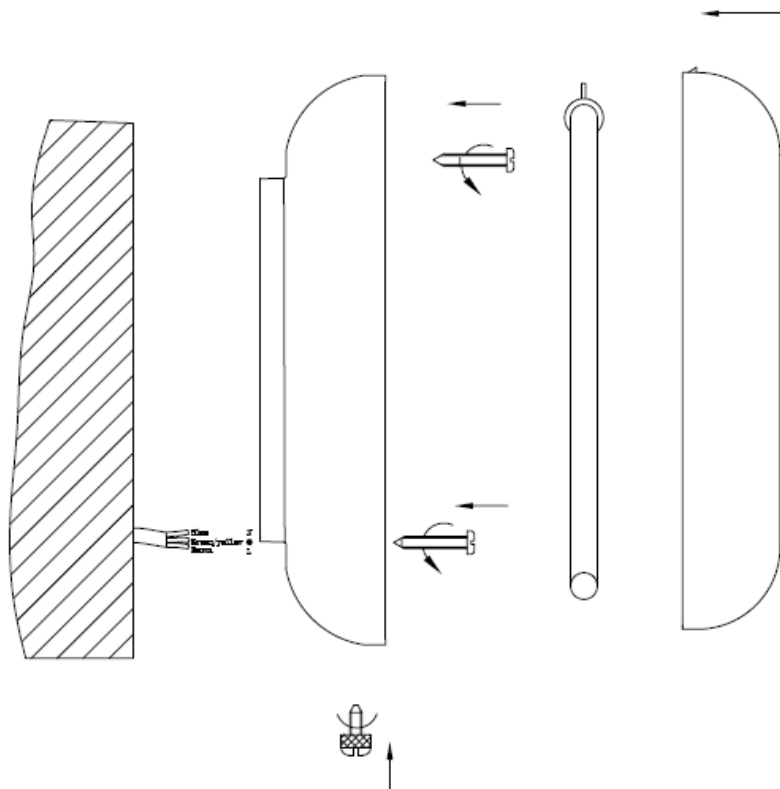
WWW.QAZQA.COM



6. Fit the recommended light bulb type.
7. Fasten the lamp cover onto the backing plate and tighten the securing screw(s).
8. Restore mains supply and switch on.

Bulb Replacement

1. Switch off product and allow to cool.
2. Remove the lamp cover by loosening securing screw(s).
3. Obtain new bulb. Do not use any other type of bulb.
4. Insert the bulb in lampholder.
5. Replace the lamp cover and secure the cover with securing screw(s).
6. Restore mains supply and switch on.



45826

QAZQA