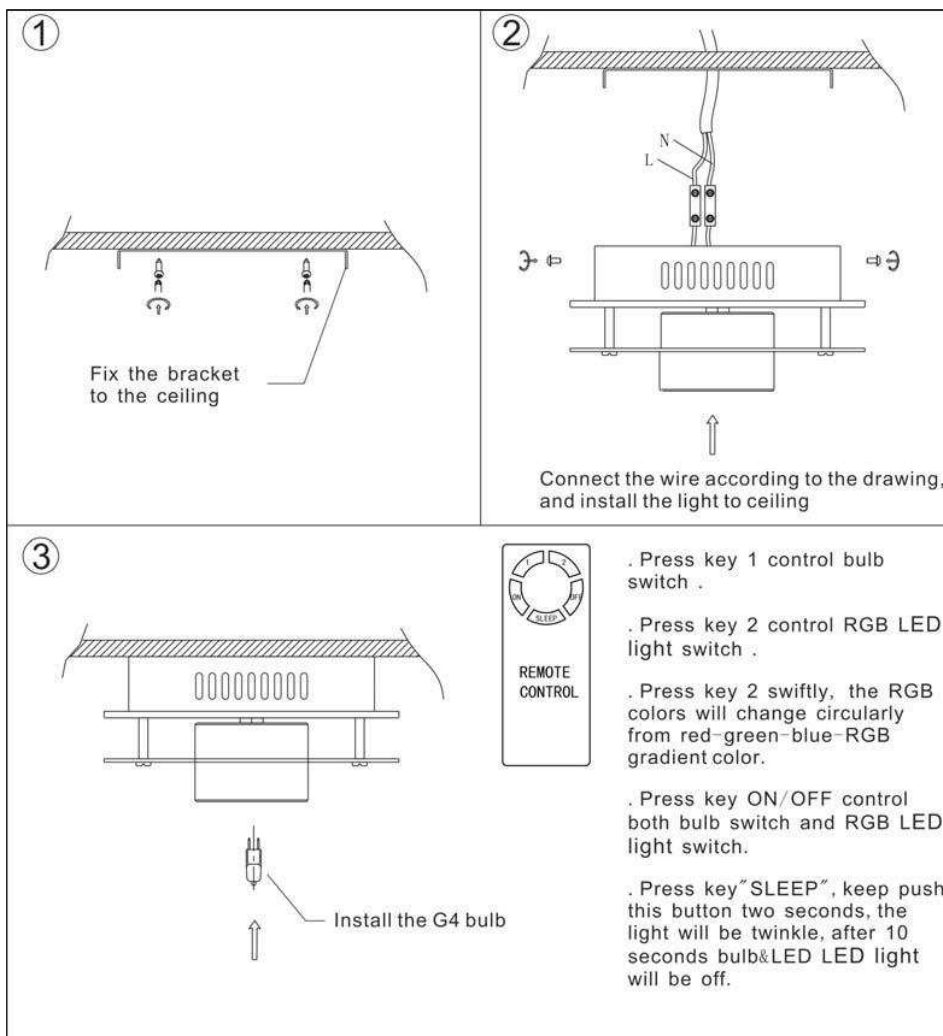


Model:45801
Type:LED
Illuminant:LED+G4 halogen bulb

Technical Specifications

.Voltage:220~240V 50Hz/60Hz
.Power:RGB LED 8×0.06W+G4 Max.20W
.IP Grade:IP20
.Safe Grade:Class II



Recommendation for safety:

- .Install the lighting fixture by professional only;
- .Make sure power is off before installing;
- .Do not touch the halogen bulb when it lights on;
- .Always turn off the power for few minutes before handling or replacing the bulb;
- .Allow distance of at least 0.5m between the halogen lamp and light surface;
- .Use only dry cloth to clean the bulb,do not use cleanser or chemical cleaning products;
- .The actual use power should not override the rated power.