

ATTENTION: FOR THIS OPERATION YOU HAVE TO CUT OFF THE POWER

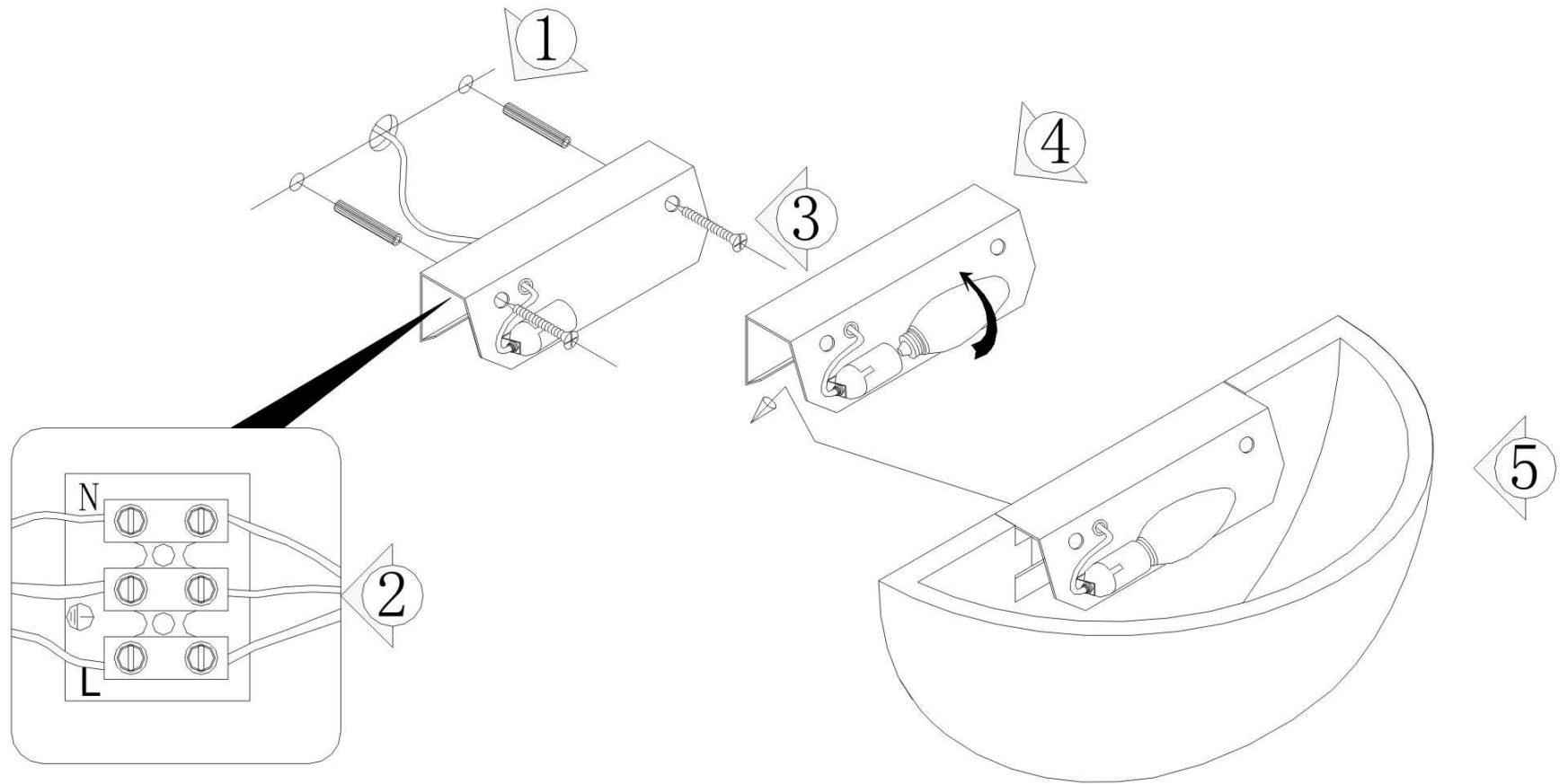
Class I lamp

MAXIMUM

220~230V 50Hz E14 MAX 40W



WWW.QAZQA.COM



QAZQA