



WWW.QAZQA.COM

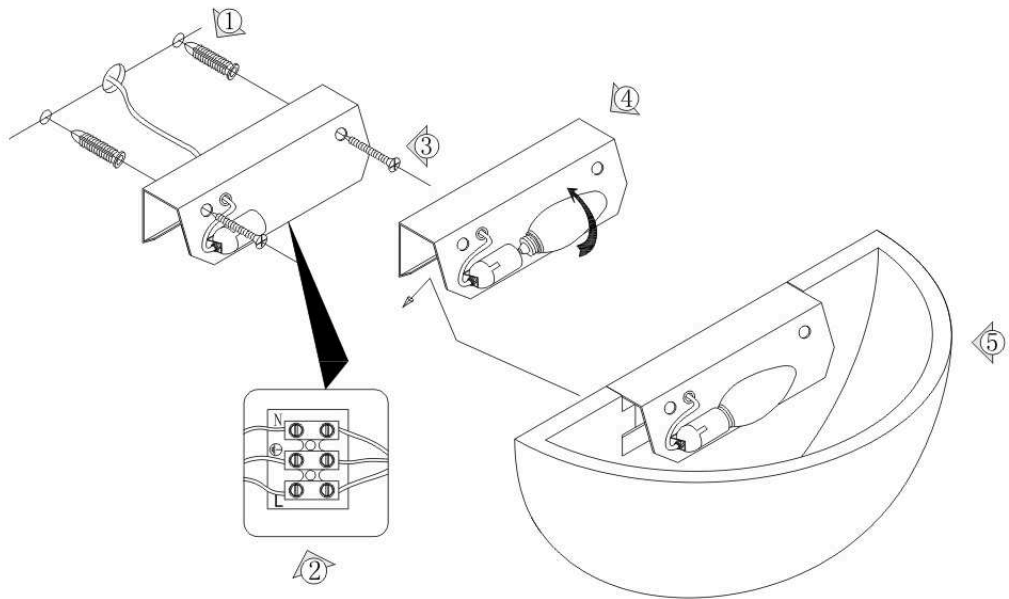
ATTENTION: FOR THIS OPERATION YOU HAVE TO CUT OFF THE POWER

Class 1 lamp

**MAXIMUM**

E14 230V 50Hz Max 40W

# 45635/45636/45638



# QAZQA