



WWW.QAZQA.COM

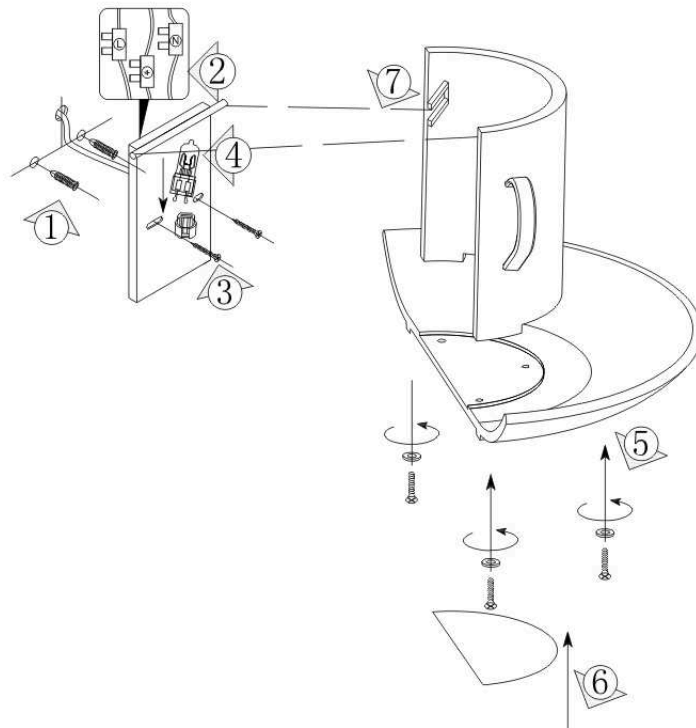
ATTENTION: FOR THIS OPERATION YOU HAVE TO CUT OFF THE POWER

Class 1 lamp

MAXIMUM

230V 50Hz Max G9 40W

45634



QAZQA