



WWW.QAZQA.COM

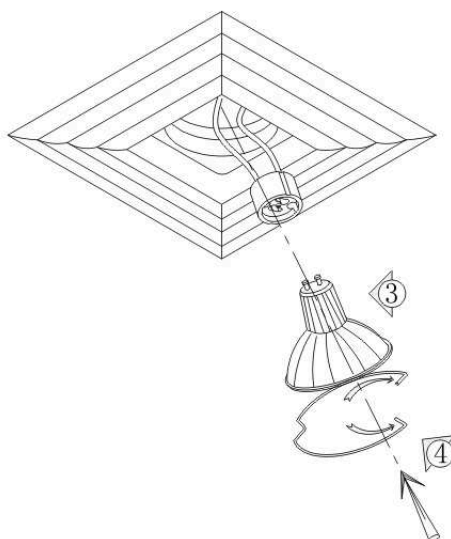
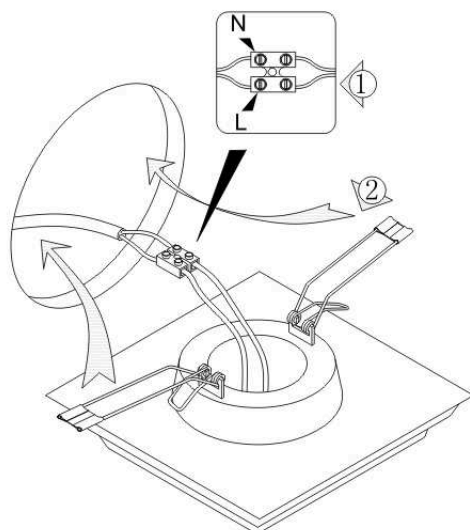
ATTENTION FOR THIS OPERATION YOU HAVE TO CUT OFF THE POWER

Class 0 lamp

MAXIMUM

230V 50Hz Max 35W/ GU10

45632



QAZQA