

# INSTRUCTION

## The instruction on operation and installation of the lamp

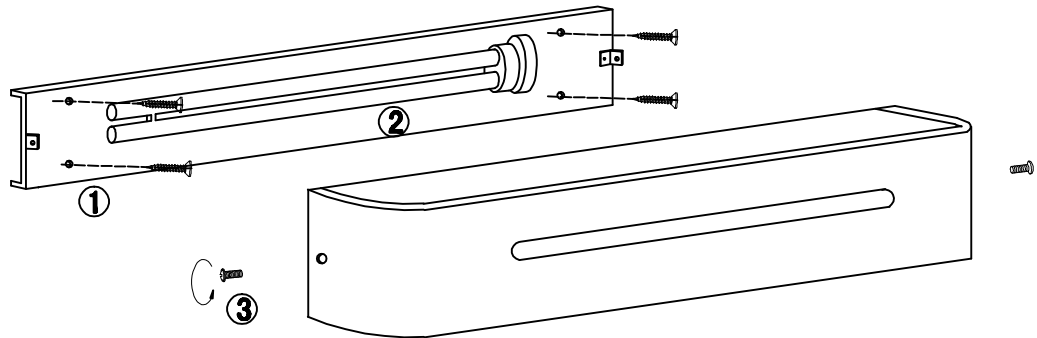
Before assembly and operation of the lamp, familiarize closely with the given instruction, it is necessary for your safety.

**ATTENTION!** You should commit a fitting and a connection of electric equipments to network to an expert, who has a dispensation for a work with electric equipments.

### A preparation of the product to the operation.

1. Accurately take off a fixture of the lamp from a packing box.
2. Check up a complete set of the lamp.
3. Assemble a fixture of the lamp in working position, use a scheme of assembly. Plafonds are installed after you fixed the fixture of the lamp on the ceiling or on the wall.
4. Correctly fix an assembly mounting on the ceiling or on the wall.
5. Check up the reliability of the mounting, considering weight of the fixture.
6. Connect the ends of wires of the electric system through terminal box to the ends of wires of the lighting device and fix the fixture of the lamp to the assembly mounting by means of decorative screws, should place reliably and freely all wires under a decorative cover.
7. Gingerly take off plafonds from a packing box.
8. Install plafonds; fix them gingerly and reliably in a place.
9. Twist bulbs without an effort.
10. The lamp is ready for operation.

MODEL : 45606  
45607



QAZQA