

Model:45473

Type:LED lamp

Iluminant:LED lamp

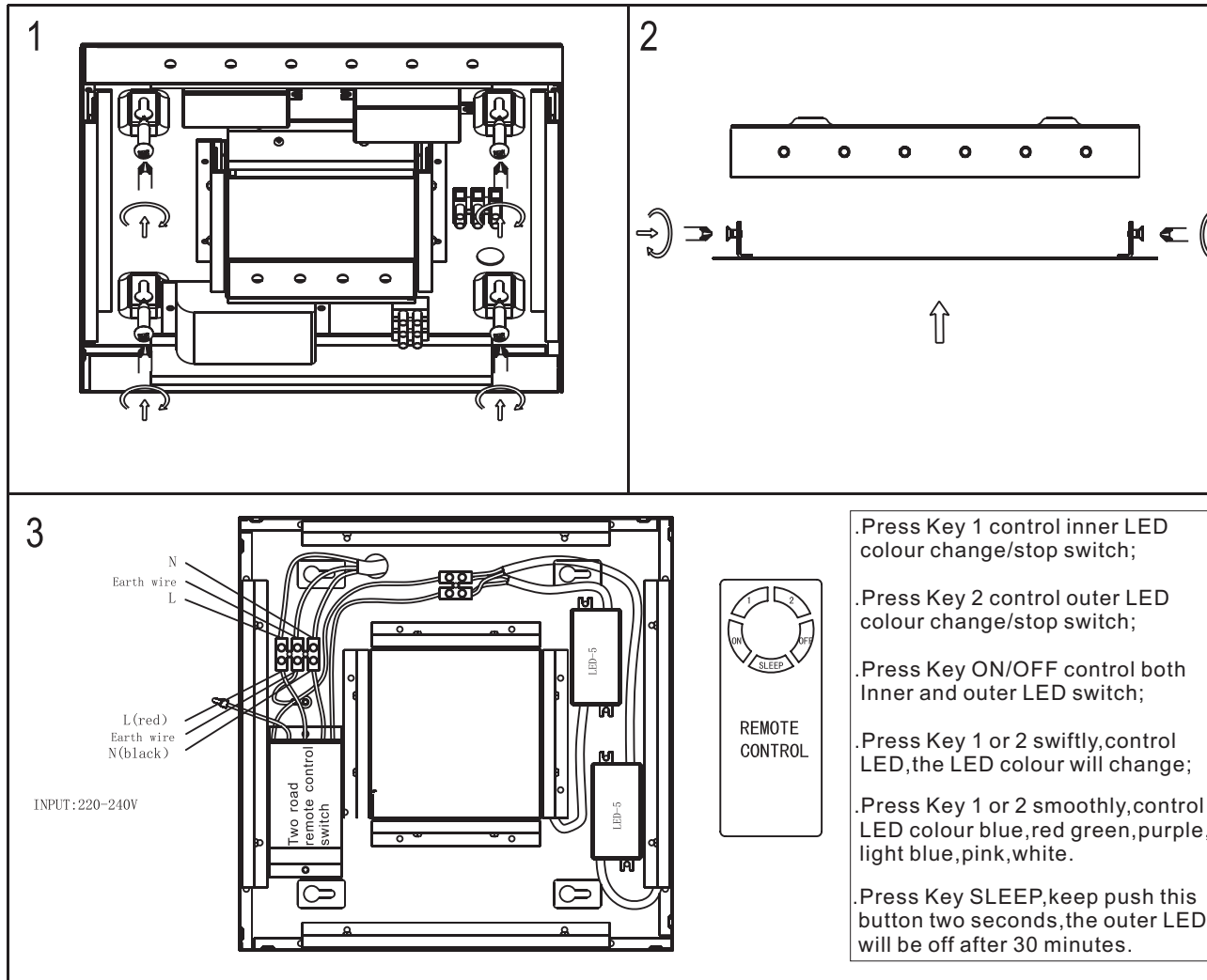
Technical Specifications:

.**Voltage:**220~240V 50Hz/60Hz

.**Power:**LED lamp 40x0.06W

.**IP Grade:**IP20

.**Safe Grade:** Class I



- . Press Key 1 control inner LED colour change/stop switch;
- . Press Key 2 control outer LED colour change/stop switch;
- . Press Key ON/OFF control both Inner and outer LED switch;
- . Press Key 1 or 2 swiftly, control LED, the LED colour will change;
- . Press Key 1 or 2 smoothly, control LED colour blue, red green, purple, light blue, pink, white.
- . Press Key SLEEP, keep push this button two seconds, the outer LED will be off after 30 minutes.

Recommendation for safety:

- . Install the lighting fixture by professional only;
- . Make sure power is off before installing;
- . Do not touch the LED bulb when it lights on;
- . Always turn off the power for few minutes before handling or replacing the bulb;
- . Allow distance of at least 0.5m between the LED lamp and light surface;
- . Use only dry cloth to clean the bulb, do not use cleanser or chemical cleaning products;
- . The actual use power should not override the rated power.