



WWW.QAZQA.COM

**Model:**45461

**Type:**Energy saving lamp

**Luminant:**LED & GU10 electronic energy saving lamp

**Technical Specifications:**

**.Voltage:**220~240V 50Hz/60Hz

**.Power:** LED lamp 3\*1W & GU10 electronic energy saving lamp Max.11W

**.IP Grade:**IP44

**.Safe Grade:** Class II

**Installation:**

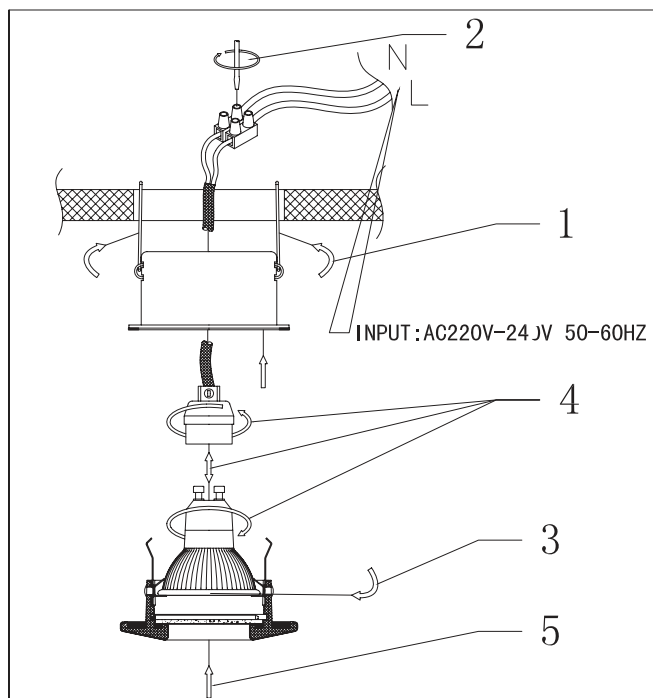
.Switch off the power before installation;

.Cut hole  $\phi$ 73mm;

.Connect the wire according to the drawing;

.Turn the springs on both back sides up a certain angle by hand, which will make the lamp body and spring enter into the setting hole. Then adjusting the lighting fixture to a right position after it is fixed successfully;

.Install the bulb into the lampholder, fix the back cover.



**Recommendation for safety:**

.Install the lighting fixture by professional only;

.Make sure power is off before installing;

.Do not touch the bulb when it lights on;

.Always turn off the power for few minutes before handling or replacing the bulb;

.Allow distance of at least 0.5m between the lamp and light surface;

.Use only dry cloth to clean the bulb, do not use cleanser or chemical cleaning products;

.The actual use power should not override the rated power.

**QAZQA**