



Model:45460

Type:Energy saving lamp

Luminant:E27 energy saving lamp

Technical Specifications:

.**Voltage:**220~240V 50Hz/60Hz

.**Power:** E27 energy saving lamp Max.15W

.**IP Grade:**IP44

.**Safe Grade:** Class I

Installation:

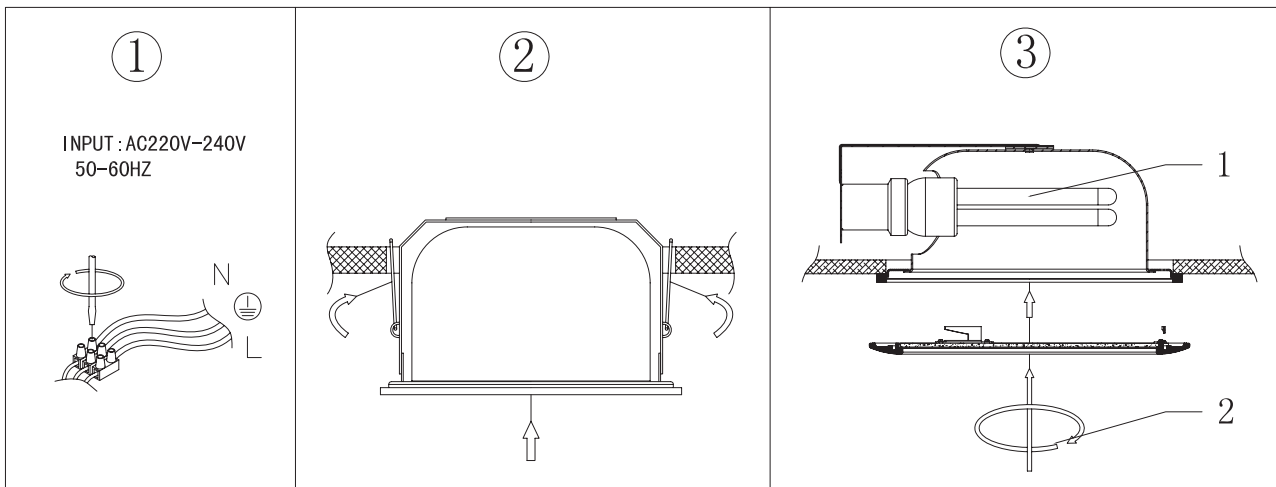
.Switch off the power before installation;

.Cut hole ϕ 173mm;

.Connect the wire according to the drawing;

.Turn the springs on both back sides up a certain angle by hand,which will make the lamp body and spring enter into the setting hole.Then adjusting the lighting fixture to a right position after it is fixed successfully;

.Install the bulb into the lampholder,fix the plate.



Recommendation for safety:

.Install the lighting fixture by professional only;

.Make sure power is off before installing;

.Do not touch the bulb when it lights on;

.Always turn off the power for few minutes before handling or replacing the bulb;

.Allow distance of at least 0.5m between the lamp and light surface;

.Use only dry cloth to clean the bulb,do not use cleanser or chemical cleaning products;

.The actual use power should not override the rated power.