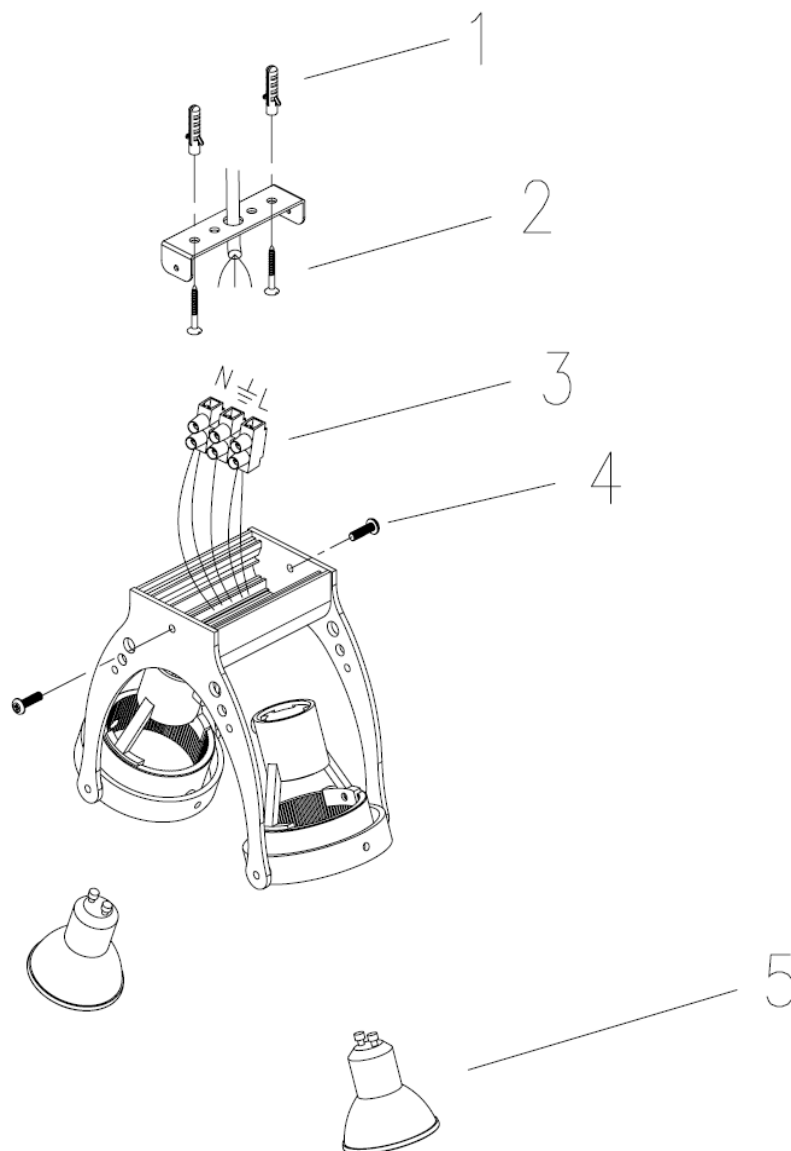




WWW.QAZQA.COM

45030

.Please read instructions before commencing installation and retain for future reference.

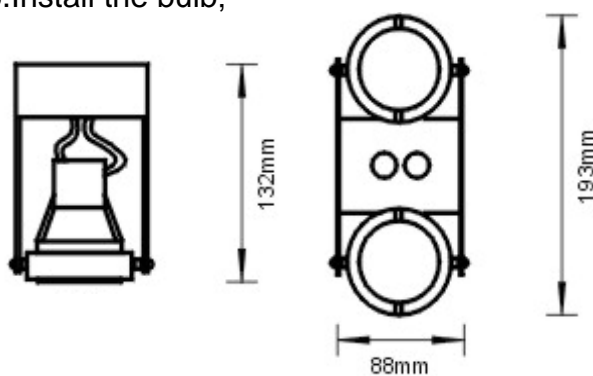


**INSTALLATION INSTRUCTIONS:**

- 1.Install the dowel;
- 2.Fix the bracket with screws;
- 3.Connect it to power;
- 4.Tighten the screws at sides;
- 5.Install the bulb;

**Note:**

Lamp GU10  
MAX.2x50W



**QAZQA**