

INSTRUCTION MANUAL

These instructions are for your safety. Please read through them thoroughly prior to installation and retain them for future reference.

Warnings

- This product is Class I and must be earthed.
- It is recommended that this fitting is installed by a qualified electrician.
- This fitting should be fitted in accordance with IEE Regulations and the Building Regulations.
- For your safety, switch off at the mains supply before installing or maintaining this fitting. Ensure other persons cannot restore the electricity supply without your acknowledgement.
- If you are in any doubt, please consult a qualified electrician.
- If replacing an existing fitting, make a note of the connections.
- Always use the correct type and wattage bulb. Never exceed the wattage stated.
- When changing a bulb, always switch off at the mains and allow the old bulb to cool down before handling. Dispose of used bulbs carefully.
- The bulb and surrounding parts can become extremely hot during use.
- Cable Type - The correct cable must be used for wiring this fitting. We suggest that you use H05RN-F specification cable (not supplied) which is an outdoor grade, rubber sheathed cable. Running it inside a plastic conduit (not supplied) should further protect it. Alternatively, if the cable is to be in an area where it could become damaged, you should use special armoured cable. This type of cable has a sheath that is strengthened to protect against damage from objects such as garden tools, lawnmowers etc. The cable must have a minimum cross sectional area of 1.0mm² and wherever possible, cables should be run horizontally. Bury the cable minimum of 50cm.
- A light fitting should be connected to a lighting circuit protected by a 5-amp fuse, (or 6-amp residual current device). If a light fitting is to be connected to a ring main, a fused connection unit fitted with a 3-amp fuse should be installed. This product is only suitable for connection to AC 220-240V / 50Hz supply.
- We always recommend the use of an approved RCD unit.
- Replace any cracked/damaged diffuser immediately-do not use if they are damaged.
- The fitting is suitable to be installed in normally non-accessible areas. The product cannot be mounted in areas where motor vehicles may circulate, carriageways, parking areas.
- The product has a rated maximum surface temperature of 160 °C.
- Dangerous voltage! To indicate hazards arising from dangerous voltages.
- We recommend only using the lamp that is with ultraviolet ray filter.

Specifications

Product type: 44964

Rated voltage: AC 220-240V, 50Hz

Source of light: 70W, G12 (included)

Degree of protection: IP67 & IP65

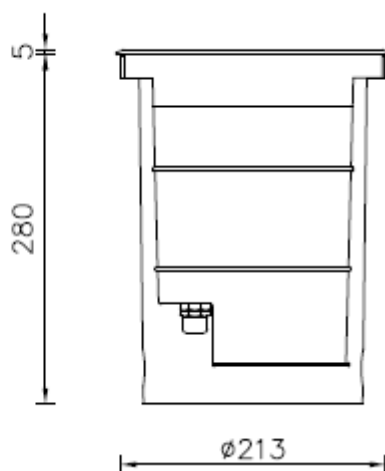
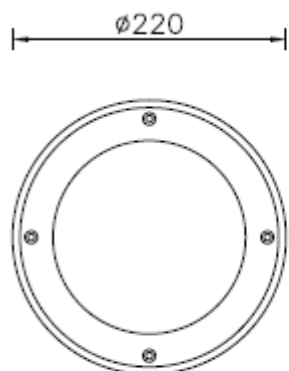
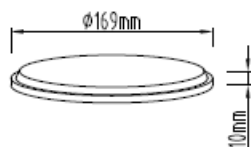
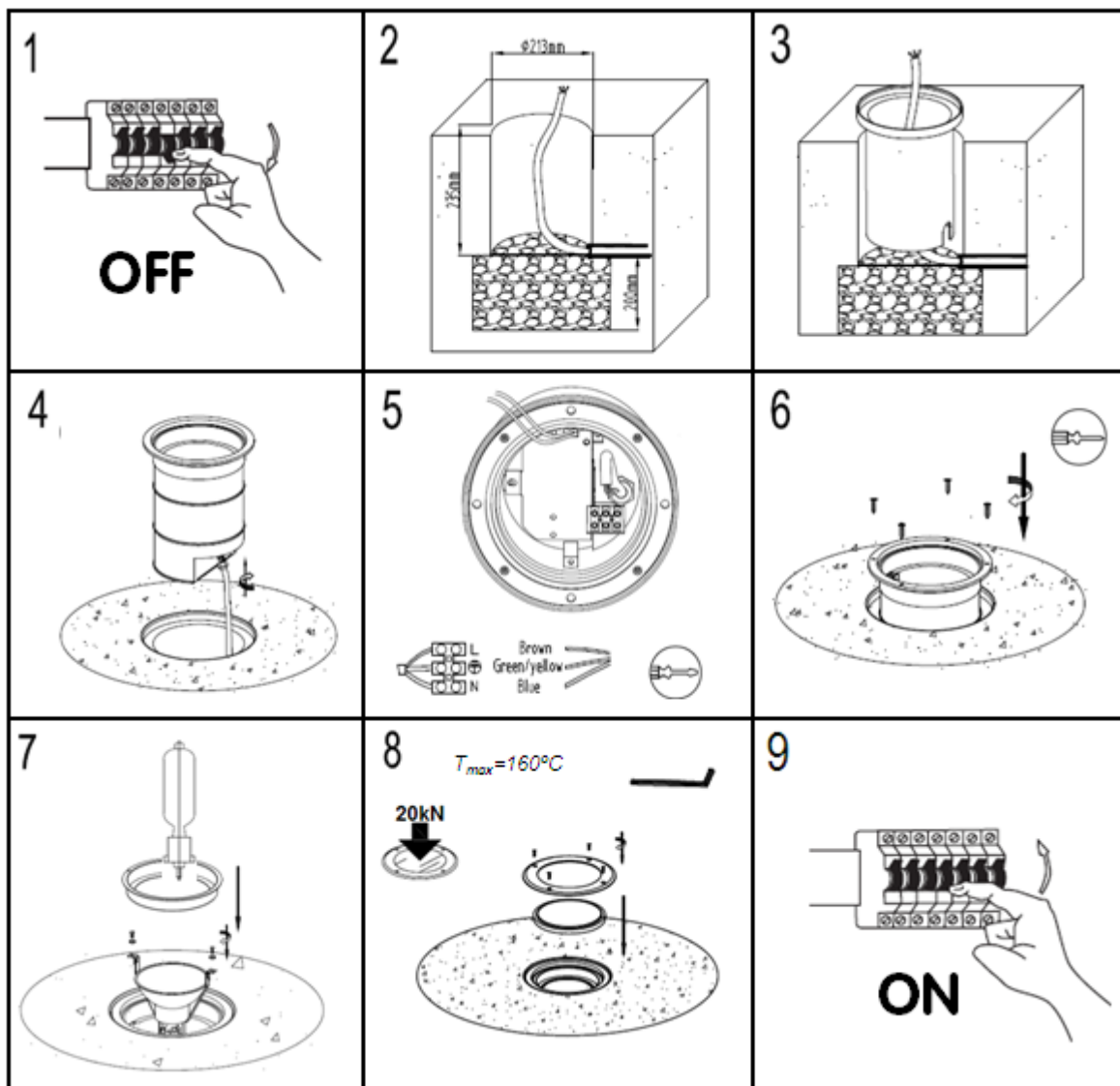
Protection class: I



WWW.QAZQA.COM



WWW.QAZQA.COM



44964

QAZQA