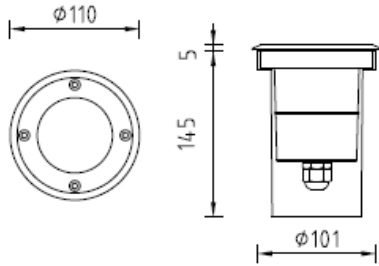


INSTALLATION INSTRUCTIONS

The product must be installed by an electrician specializing in accordance with standard installation French NF C 15100.

Parameter:

Ref No.	44960
Rated voltage	220-240V~50Hz
Rated wattage	Max.35W
Safeguard grade	IP67 & IP65
Protection kind	Class I
Lampholder	GU10 (included)



NOTE:



Immediately replace a cracked or broken safety glass and use only manufacturer approved parts.

Tempered Glass: Φ 76mm Thickness:8 mm

Hole: Φ 110mm

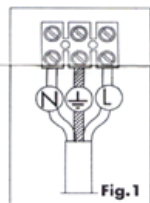
CONNECTION TO THE MAINS

Beside the length of the connection cables, you should check also the section of the single supply cables because if you exceed the maximum load, the cables will overheat.

The range of the light fixture is supplied with cable glands with different dimensions for which the correct cable should be used, as indicated in the following layout: TAB.1.

Cable Gland	Type and Diameter of input Cable
M18x1,5	H05RN-F 3G1,0 mm ²
	H07RN-F 3G1,0 mm ²

Lead the connection cable through the cable gland on the back side of the housing and then connect it to the terminal block as indicated in the diagrams of Fig. 1 for respectively 220-240V supply voltage.



In case of through wiring, use the second cable gland, supplied with the light fixture; install it on the housing, using the pre-marked hole. Use all gaskets and tighten the cable glands.

CAUTION!

The light fixture is used in normally non-accessible areas. The fitting cannot be mounted in areas where motor vehicles may circulate, carriageways, parking areas. Rated load of the light fixture is 20 KN and rated MAX. surface temperature is 170°C.



For the type of application for which this light fixture should be used, we recommend to clean the protection glass regularly because insects, earth and dry leaves on the glass can reduce the quantity of light emitted and the life of the light fixture. Check also if the installation location is compatible with temperatures developed on the glass.

DISASSEMBLING OF THE LIGHT FIXTURE AND INSTALLATION OF THE EXTERNAL HOUSING

Loosen the fixing screws of the steel trim and separate the light fixture from the external housing. (fig.1 item a)

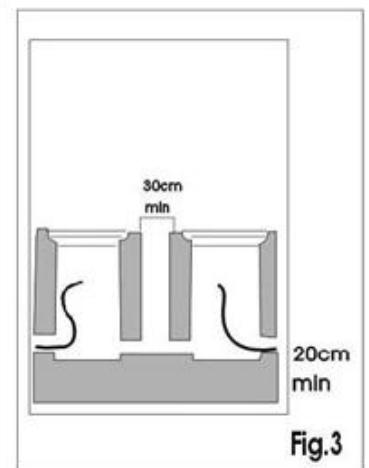
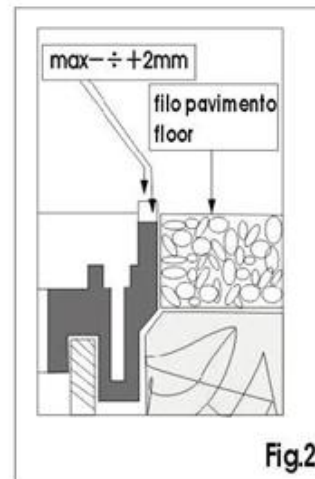
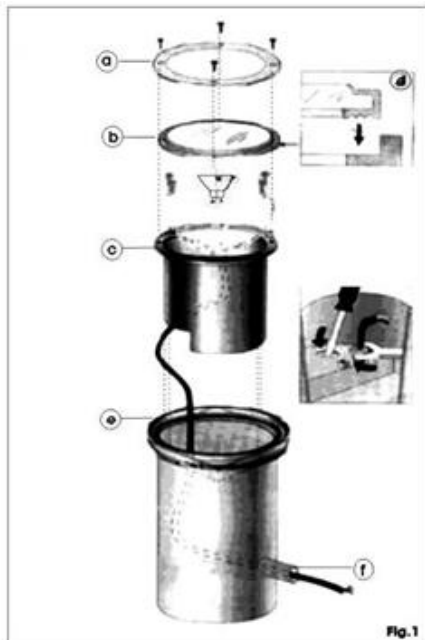
Remove the glass. (fig.1 item b)

Before you install the external housing in the ground or concrete it, *pay attention to make underneath a layer of gravel for drainage, sufficient to guarantee the water flow (about 20cm), and distance of between luminaires are at least 300mm* (fig. 3).

Introduce the rigid tube or tubes F (in case of through wiring. F: Φ from 10 to 14mm, thickness 1.5mm)) for the passage of the cables into the holes in the external housing (fig. 3).

Fix the external housing with care to keep it slightly above floor level (or walking surface), or to keep it at a minimum height of 2mm (fig. 2).

Note: The light fixture cannot be used immersed in water, because of the bad drainage.



REASSEMBLING OF THE LIGHT FIXTURE

Install the light fixture complete with lamp in the external housing and fix it with the screws. (fig.1 item c)

Reposition the glass with the gaskets. (fig.1 item d)

Clean the counter-trim (fig.1 item e), place the stainless steel trim on the housing and fix it, tightening the screws crosswise.

WARNING

The safety of the unit is only guaranteed if the instructions are followed correctly; therefore please retain the instructions.

Before connecting the unit to the mains, ensure the power has been switched off.

Do not use the light fixture without protection glass and replace it in case cracks or splits appear.

Ask the factory for original spare parts.

Install the light fixture in such a way that the lamp is not tipped.

The installer should guarantee the correct mechanical and electrical installation of the light fixture.

The fitting should under no circumstances be covered with insulation material or other similar materials.